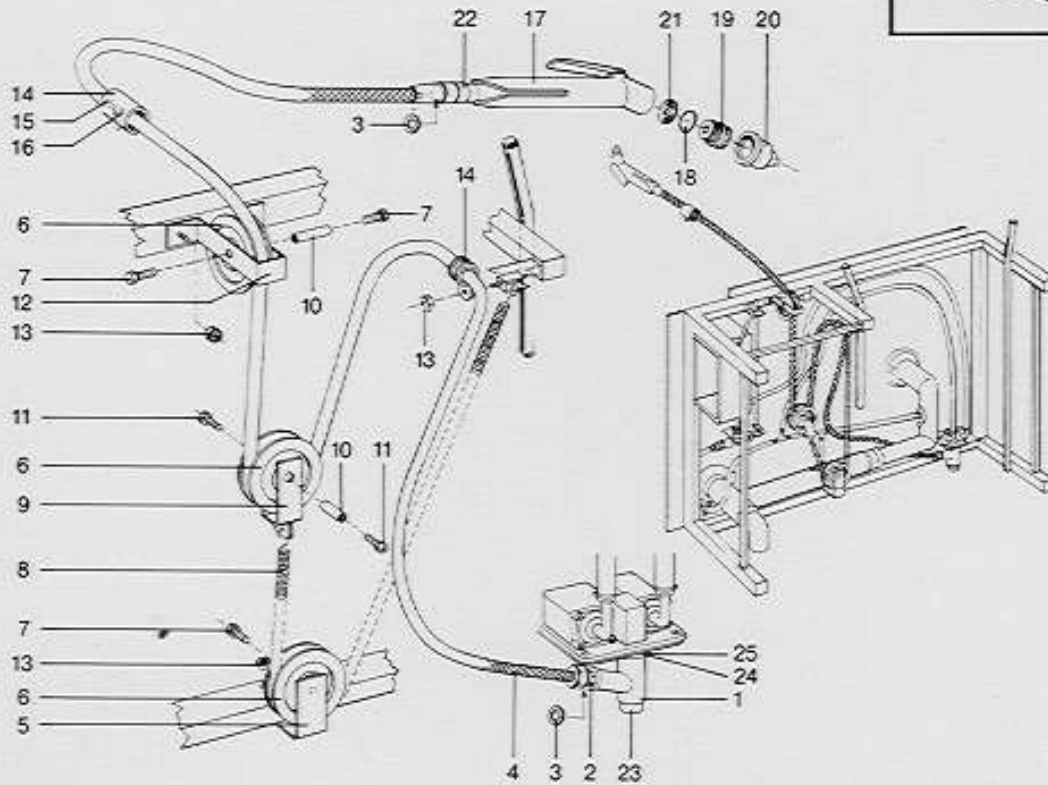




Bottom (Hand Shower)

Component Group Page Edition applicable from Serial No.

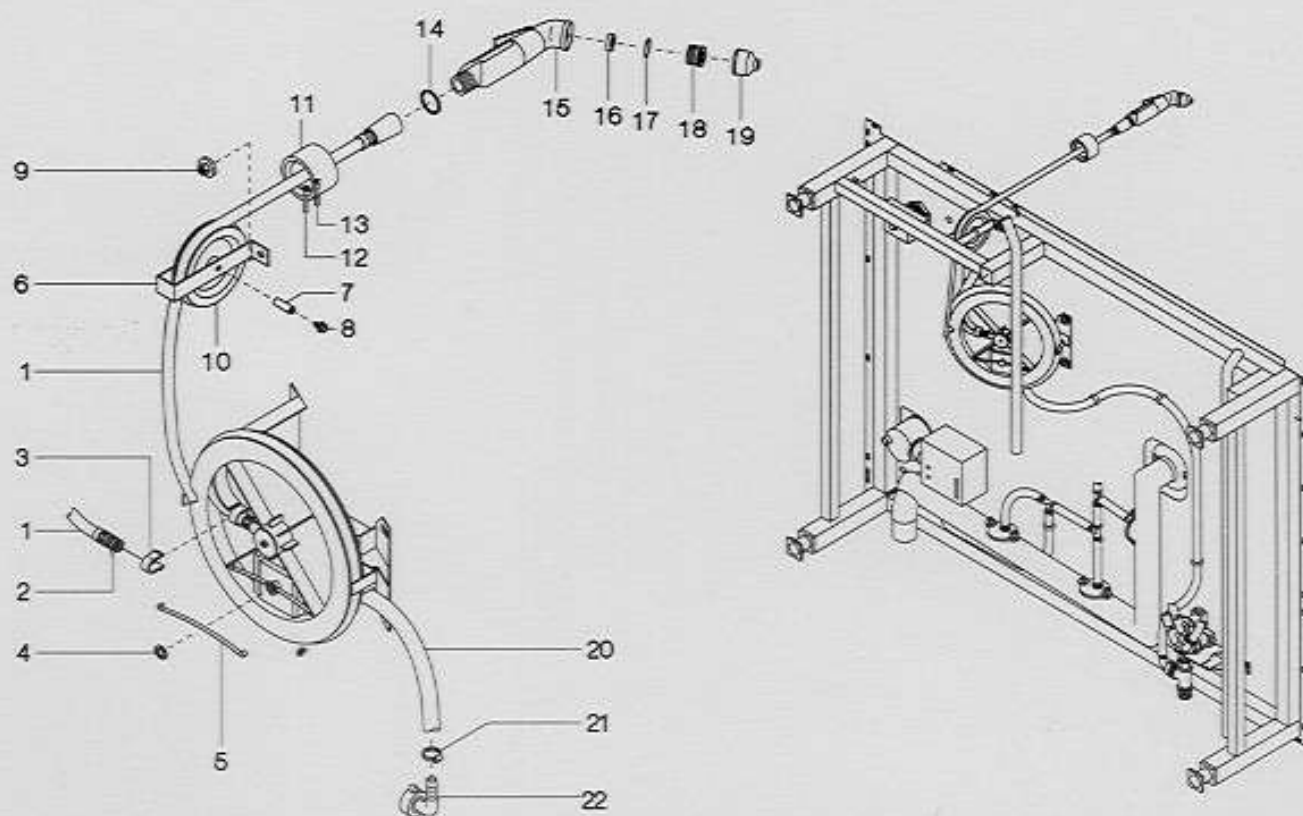
10 10.3 10.3.1 02089041049



Pos.	Pcs.	Sp.	Part No.	Description	Sign	Pos.	Pcs.	Sp.	Part No.	Description	Sign
1	1		2036.0501	T-fitting		-	1		8630.0106	holder 3 complete (pos. 12, 7, 10)	
2	1		2062.0103	reducing nipple		-	1		8630.0109	T-part complete (pos. 2, 23, 24, 25)	
3	2		5012.0536	gasket							
4	1		2067.0602	shower hose with gasket							
5	4		8630.0102	holder 4, welded							
6	3		2060.0112	hose reel							
7	3		1005.2000	ratchet safety screw							
8	1		2002.0401	tension spring 720 mm							
9	1		8630.0103	bow, welded							
10	3		2060.0115	axle							
11	2		1005.0126	countersunk head screw M 5x6							
12	1		2510.640687	holder 3							
13	5		1106.0801	hex combi nut M6							
14	1		2060.0113	tube 2 for hand shower							
15	1		1004.0664	hex socket head cap screw M 4x16							
16	1		1004.0430	head screw M 4x16							
17	1		2060.0100	hand shower with guide complete (pos. 17, 18, 19, 20)							
18	1		2060.0217	O-ring gasket							
19	1		2060.0216	head screw							
20	1		2060.0215	mouthpiece							
21	1		2060.0218	gasket for hand shower							
22	1		2060.0110	revolving joint							
23	1		1500.1579	reducing nipple							
24	1		2036.0101	tube screw connection							
25	1		5012.0529	gasket							
-	1		8630.0108	bow complete (pos. 6, 9, 11)							
-	1		8630.0107	holder 4, complete (pos. 5, 7, 10)							

Bottom (Hand Shower)

Voltage	Group	Page	Edition	Application from Serial. No.
3 N AC 380V 50Hz	10	10.3	10.3.2	02093011001

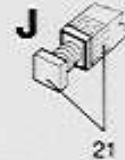
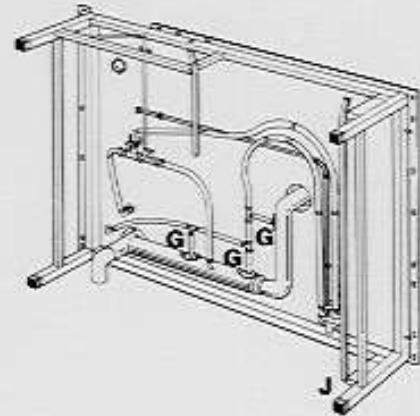
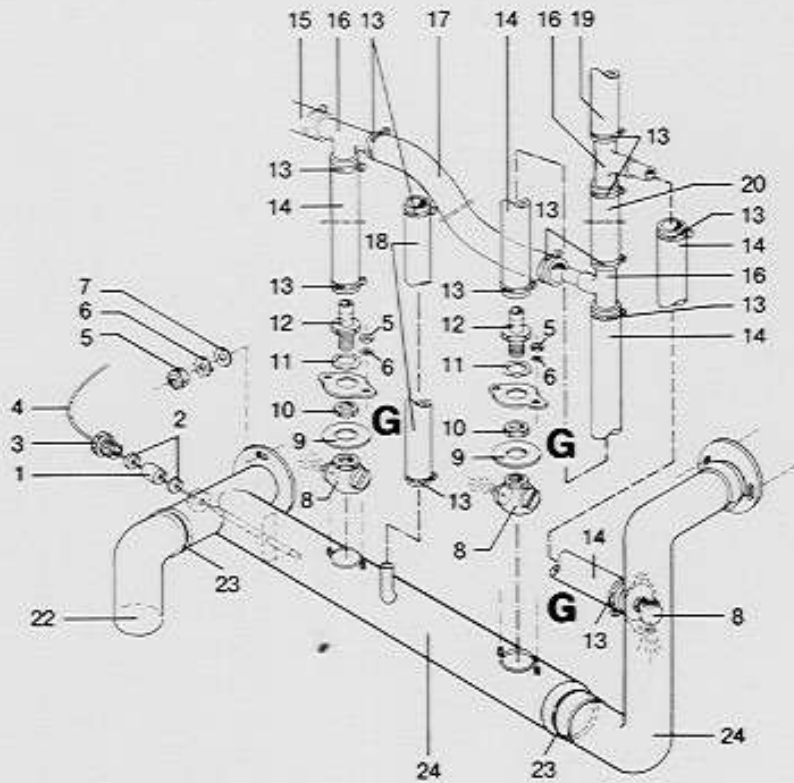


Pos.	Pcs.	Sp. Part No.	Description	Sign.
-	1	8410.1013	hand shower roll guide cpl.	
-	1	8630.0106	holder for hose reel cpl. (pos. 6,7,8,10)	
1	1	2067.0605	shower hose	
2	2	2060.0228	gasket for shower hose	
3	1	2060.0152	climp for shower hose	
4	1	2001.0203	lock washer	
5	1	2001.0202	fastening spring	
6	1	2510.640687	holder for hose reel	
7	1	2016.0878	axle for hose reel	
8	2	1005.2000	safety screw M5x8	
9	2	1106.0801	hex-combi-nut M6	
10	1	2060.0112	hose reel	
11	1	2060.0121	tulip	
12	1	1004.0430	slotted countersunk screw M4x16	
13	1	1004.0664	hex socket head screw M4x16	
14	1	5012.0536	gasket for shower hose	
15	1	2060.0100	hand shower cpl. (incl. pos. 16,17,18,19)	
16	1	2060.0218	gasket	
17	1	2060.0217	O-ring	
18	1	2060.0216	head screw	
19	1	2060.0215	mouthpiece	
20	1	2067.0060	pressure hose 900mm long	
21	2	2066.0205	hose clamp 12-18mm	
22	1	2062.0203	threaded pipe angle G3/4"	



Bottom (Lower elevation)

Component Group	Page	Edition	applicable from Serial No.
10	10.1	10.1.1	020 86 011011

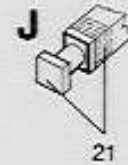
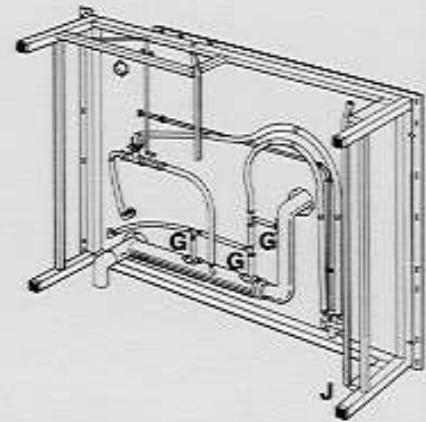
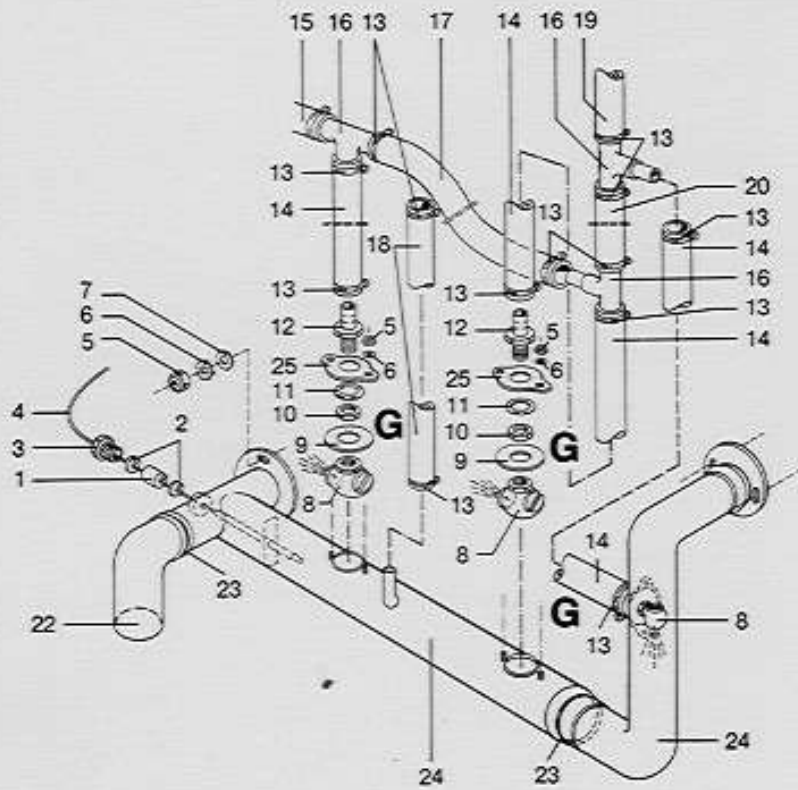


Pos.	Pcs.	Sp. Part No.	Description	Sign
1	1	3014.0303	stuffing box packing	
2	2	3014.0304	washer	
3	1	3014.0305	stuffing box nipple	
4	1	3014.0312	thermostat	P4
5	4	1106.0160	quenching system	
6	4	1206.0120	hex nut M6	
7	2	1306.0221	toothed lock washer A 6,4	
8	3	2016.0901	washer A 6,4	
9	3	2070.0020	quench nozzle	
10	3	2040.0101	gasket	
11	3	5012.0532	hex nut G 3/8"	
12	3	2062.0102	gasket	
13	12	2066.0202	hose fitting G 3/8"	
14	3	2067.0107	hose clamp 12 - 22 mm	
15	1	2067.0110	pressure hose 105 mm long	
16	3	2062.0302	pressure hose 360 mm long	
17	1	2067.0109	T-fitting	
18	1	2067.0109	pressure hose 240 mm long	
19	1	2067.0304	pressure hose 530 mm long	
20	1	2067.0111	pressure hose 1030 mm long	
21	4	2039.0100	pressure hose 120 mm long	
22	1	2070.0007	foot adjustable	
23	2	2070.0013	elbow pipe	
24	1	2070.0016	sealing element	
			drain pipe complete	

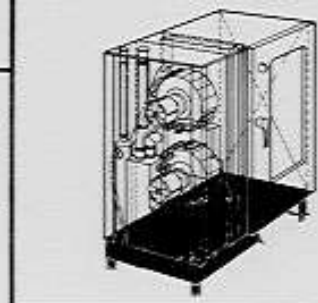


Bottom (Lower elevation)

Component Group	Page	Edition	applicable from Serial No.
10	10.1	10.1.2	020 88 011006

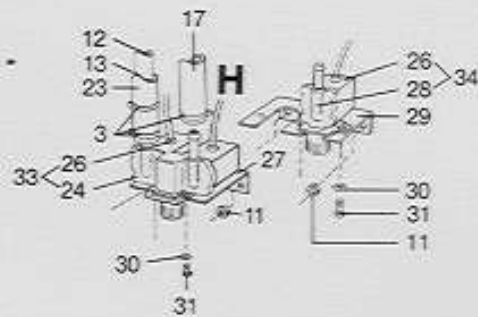
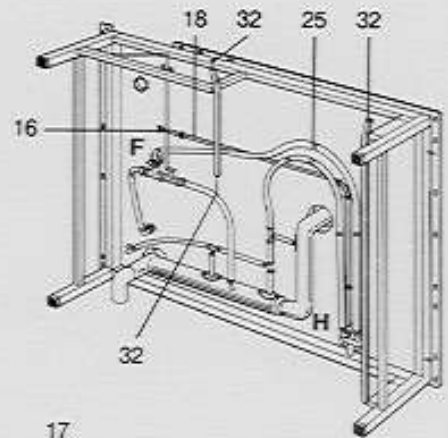
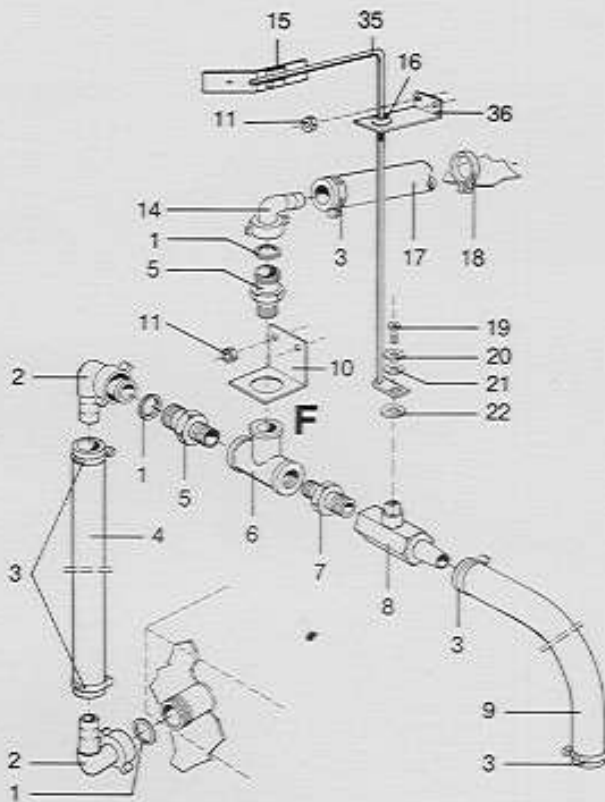


Pos.	Pcs.	Sp. Part No.	Description	Sign	Pos.	Pcs.	Sp. Part No.	Description	Sign
-	3	8612.0103	quench nozzle complete (pos. 8,9,10,25,11,12)		25	5	2070.0021	cover for quench nozzle	
1	1	3014.0303	stuffing box packing						
2	2	3014.0304	washer						
3	1	3014.0305	stuffing box nipple						
4	1	3014.0312	thermostat	P4					
5	4	1106.0160	hex nut M6						
6	4	1206.0120	toothed lock washer A6,4						
7	2	1306.0221	washer A6,4						
8	3	2016.0901	quench nozzle						
9	3	2070.0020	gasket						
10	3	2580.600594	washer						
11	3	5012.0532	O-ring gasket						
12	3	2062.0102	hose fitting G 3/8"						
13	12	2066.0202	hose clamp 12-22 mm						
14	3	2067.0107	pressure hose 105 mm long						
15	1	2067.0110	pressure hose 360 mm long						
16	3	2062.0302	T-fitting						
17	1	2067.0109	pressure hose 240 mm long						
18	1	2067.0304	pressure hose 530 mm long						
19	1	2067.0111	pressure hose 1030 mm long						
20	1	2067.0108	pressure hose 120 mm long						
21	4	2039.0111	foot adjustable						
22	1	2070.0007	elbow pipe						
23	2	2070.0013	sealing element						
24	1	2070.0016	drain pipe complete						



Bottom (Lower elevation)

Component Group	Page	Edition	applicable from Serial No.
10	10.2	10.2.2	020 89 04 1149

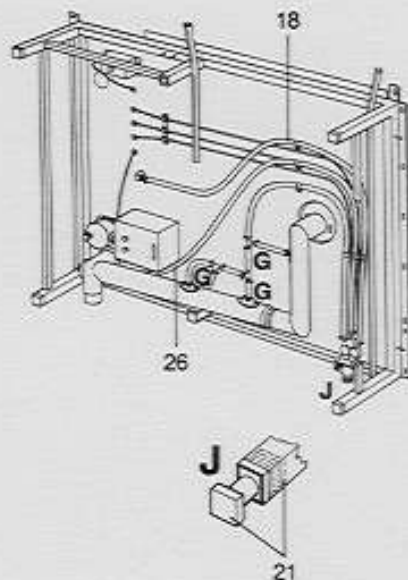
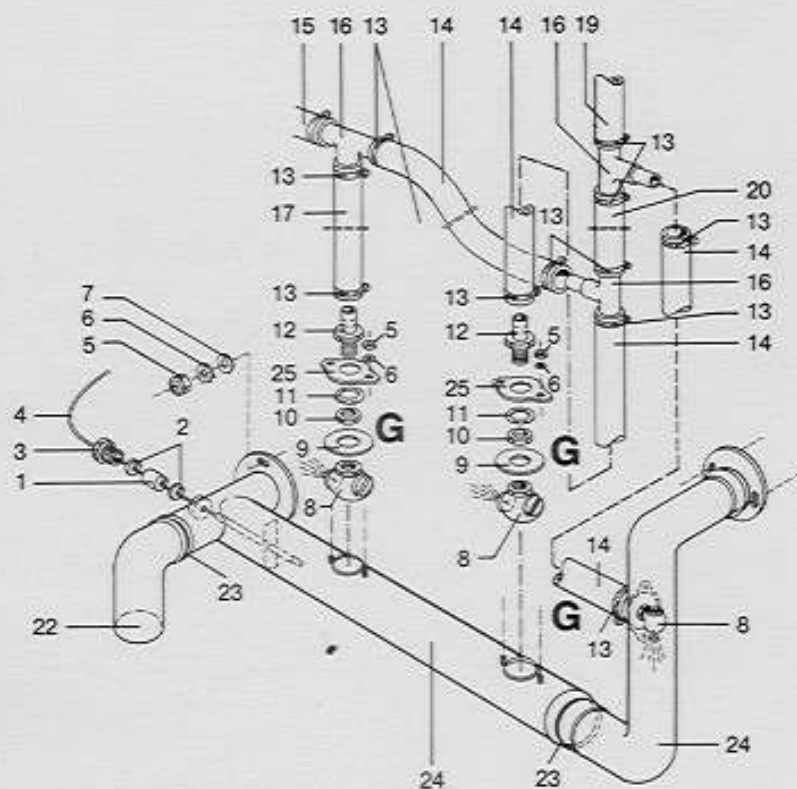


Pos.	Pcs.	Sp. Part No.	Description	Sign	Pos.	Pcs.	Sp. Part No.	Description	Sign
-	1	8611.0101	T-fitting with ball valve complete (pos. 5, 6, 7, 8, 10)		24	1	3002.0314	body for double solenoid valve	
1	3	5012.0529	sealing ring for elbow fitting		25	6	4006.0203	cable clamp	
2	2	2062.0200	elbow fitting G 3/4"		26	2	3002.0324	coil for solenoid valve	
3	8	2066.0202	hose clamp 12 - 22 mm		27	1	2580.720384	holder for double solenoid valve	
4	1	2067.0303	pressure hose 225 mm long		28	2	3002.0301	body for 2 single solenoid valves (option)	
5	2	1500.1579	reducing nipple G 1/2" x G 3/4"		29	1	2580.910401	holder for 2 single solenoid valves (option)	
6	1	2036.0501	T-fitting G 1/2"		30	2	1204.0120	toothed lock washer A4,3	
7	1	2062.0103	double nipple G 1/2"		31	4	1004.0660	hex socket head cap screw M 4x10	
8	1	2062.0100	ball valve		32	3	2039.0204	plastic cap	
9	1	2067.0304	pressure hose 530 mm long		33	1	3002.0304	double solenoid valve complete	
10	1	2580.730385	holder for T-fitting		34	2	3002.0305	2 single solenoid valves complete	
11	6	1106.0801	hex combi nut M6		35	1	8410.0102	lever for ball valve	
12	1	1900.0103	flow regulator orange		36	1	2580.740386	holding strap for lever for ball valve	
13	1	2016.0867	socket for flow regulator						
14	1	2062.0203	elbow fitting G 3/4"						
15	1	4006.0202	cable clamp						
16	3	2022.0101	grommet						
17	1	2067.0112	pressure hose 1370 mm long						
18	4	4006.0201	cable clamp						
19	1	1006.0300	slotted raised countersunk head screw						
20	1	1205.0120	toothed lock washer A5,3						
21	1	1305.0260	washer A5,3						
22	1	1308.0560	washer						
23	1	2067.0111	pressure hose 1030 mm long						



Bottom (Lower elevation)

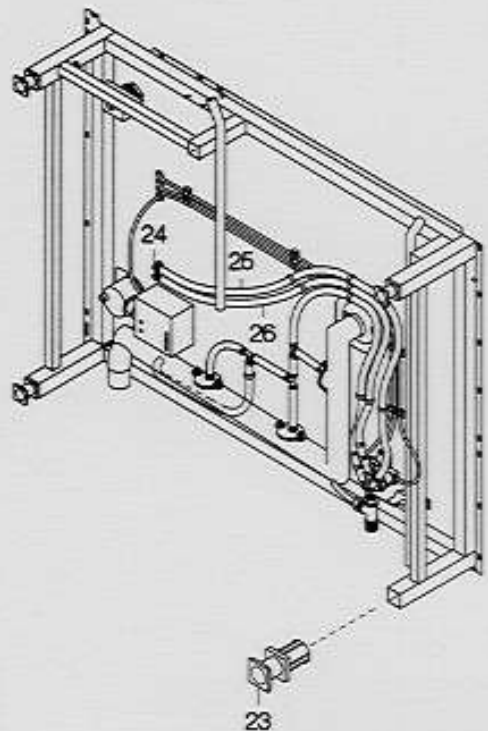
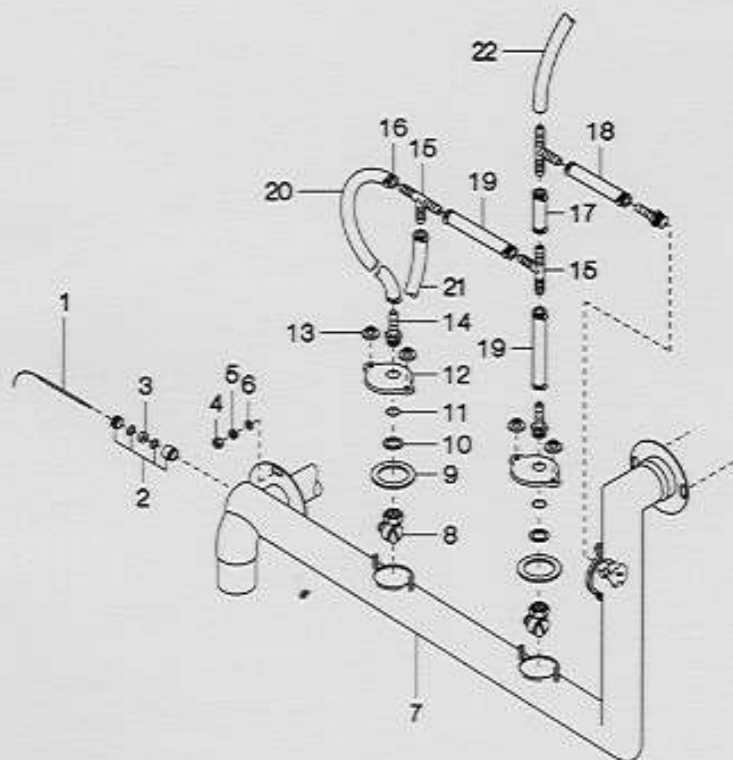
Component Group	Page	Edition	applicable from Serial No.
10	10.1	10.1.3	020 8910 4001



Pos.	Pcs.	Sp. Part No.	Description	Sign
-	3	8612.0103	quench nozzle complete (pos. 8,9,10,25,11,12)	
1	1	3014.0303	stuffing box packing	
2	2	3014.0304	washer	
3	1	3014.0305	stuffing box nipple	
4	1	3014.0312	thermostat	P4
5	4	1106.0160	quenching system hex nut M6	
6	4	1206.0120	toothed lock washer A6,4	
7	2	1306.0221	washer A6,4	
8	3	2016.0901	quench nozzle	
9	3	2070.0020	gasket	
10	3	2580.600594	washer	
11	3	5012.0532	O-ring gasket	
12	3	2062.0102	hose fitting G 3/8"	
13	18	2066.0202	hose clamp 12 - 22 mm	
14	3	2067.0107	pressure hose	
15	1	2067.0119	pressure hose	
16	3	2062.0302	T-fitting	
17	1	2067.0109	pressure hose	
18	1	2067.0134	pressure hose	
19	1	2067.0104	pressure hose	
20	1	2067.0108	pressure hose	
21	4	2039.0111	120 mm long foot adjustable	
22	1	2070.0007	elbow pipe	
23	2	2070.0013	sealing element	
24	1	2070.0028	drain pipe complete	
25	5	2070.0021	cover for quench nozzle	
26	1	2067.0135	pressure hose	

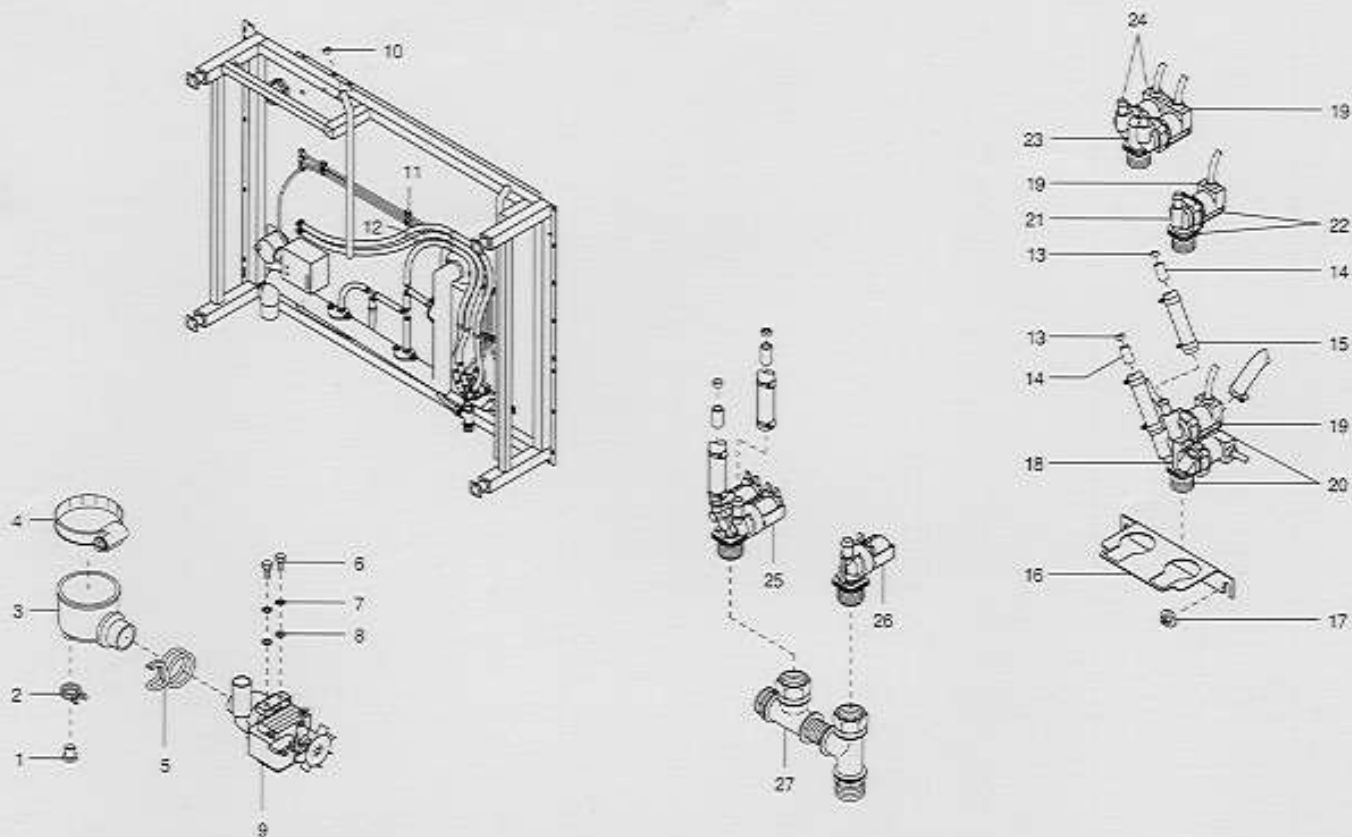
Bottom (Lower elevation)

Voltage	Group	Page	Edition	Application from Serial. No.
3 N AC 380V 50Hz	10	10.1	10.1.4	02091042001



Pos.	Pcs.	Sp. Part No.	Description	Sign.
-	3	8612.0103	quenching nozzle cpl. (pos.8,9,10,11,12,14)	
1	1	3014.0312	thermostat quenching	P4
2	1	4007.0600	cable connection PG9	
3	1	2022.0100	gasket	
4	2	1106.0160	hex nut M6	
5	2	1206.0120	toothed lock washer A6,4	
6	2	1306.0221	washer A6,4	
7	1	2070.0040	drain system cpl.	
8	3	2016.0901	quenching nozzle	
9	3	2070.0020	gasket	
10	3	2580.600594	washer	
11	3	5012.0532	gasket	
12	3	2070.0021	cover	
13	6	1106.0801	hex-combi-nut M6	
14	3	2062.0102	hose fitting G3/8"	
15	3	2062.0302	T-fitting	
16	18	2066.0205	hose clamp 12-18mm	
17	1	2067.0150	pressure hose 60mm long	
18	1	2067.0107	pressure hose 105mm long	
19	2	2067.0108	pressure hose 120mm long	
20	1	2067.0155	pressure hose 230mm long	
21	1	2067.0129	pressure hose 470mm long	
22	1	2067.0132	pressure hose 815mm long	
23	4	2039.0111	foot adjustable	
24	3	2062.0301	plastic elbow fitting	
25	1	2067.0143	pressure hose 1270mm long for steam generator rinsing	
26	1	2067.0147	pressure hose 140mm long for steam generator filling	

Bodengruppe (Unterseite)	Spannung	Baugruppe	Ausgabe	gültig ab Seriennummer
Bottom (Lower elevation)	Voltage	Group	Edition	Applicable from Serial.No.
	3 N AC 400V 50Hz	10	10.2.5	02096011001

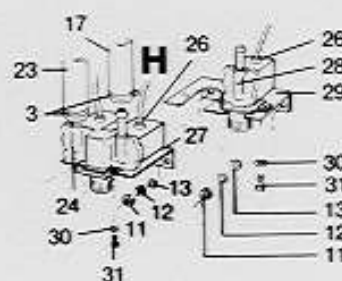
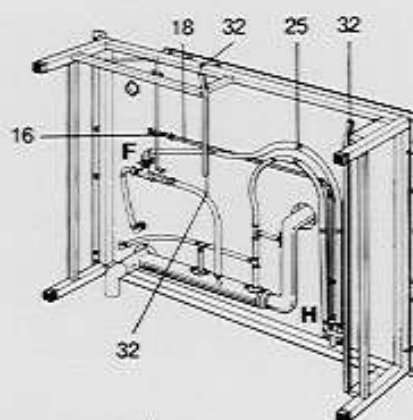
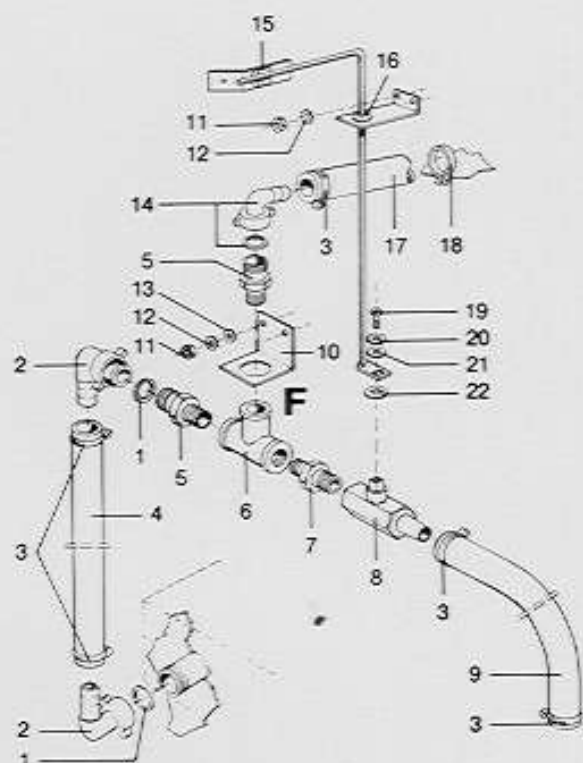


Pos.	St.	Ersatz.Nr.	Bezeichnung	Description
Pos.	Pcs.	Sp. Part No.		
-	-	2067.0050	Druckschlauch NW10 1 lfm.	Pressure hose NW10 per meter
1	1	2016.0873	Stopfen für Pumpenanschluß	Plug for pump connection
2	1	2066.0517	Schlauchklemme 18,2mm	Hose clamp 18,2mm
3	1	2022.0110	Pumpenanschluss ab 04/91	Pump connection from 04/91
4	1	2066.0516	Schlauchschelle 60-80mm	Hose clamp 60x80 mm
5	1	2066.0519	Schlauchklemme d 35,6 mm	Hose clamp 35,6mm
6	2	1006.1960	Senkschraube mit Innensechskant M6x16	Hex socket countersunk head screw M6x16
7	2	1206.0120	Zahnscheibe A6,4	Toothed lock washer A6,4
8	2	1306.0120	Unterlegscheibe A6,4 DIN125	Washer A6,4
9	1	3002.1000	Entleerungspumpe 200-240 V, 50/60 Hz	Emptying pump 200-240V 50/60 Hz
10	3	2039.0204	PVC-Lamellenkappe Typ 201/20	PVC- end cap type 201/20
11	10	4006.0201	Kabelbefestigung Magnetventil schwarz 10 Stk.	Fixing clip for solenoid cable 10 ea
12	8	4006.0203	Befestigungsschelle PL-KK PA 6 FL	Fixing clip for pressure hose
13	2	1900.0103	Durchflußmengenregler orange, Typ 20	Flow controller orange
14	2	2016.0867	Aufnahme für Durchflußmengenregler	Socket for flow controller
15	5	2066.0205	Schlauchschelle 12-18 mm	Hose clamp 12-18 mm
16	1	2580.721120	Haltewinkel für Zweifachmagnetventil ab 04/91	Bracket for double solenoid valve from 04/91
17	4	1106.0801	Sechskant-Combi-Mutter M6	Hex combination nut M6
18	-	3002.0315	Gehäuse für Dreifachmagnetventil	body for triple solenoid valve
19	-	3002.0329	Magnetventilspule 220-240V 50/60Hz	Coil for solenoid valve 220-240V 50/60Hz
20	1	3002.0328	Dreifachmagnetventil kpl.	Triple solenoid valve cpl.
21	-	3002.0301	Gehäuse für Einfachmagnetventil (Option)	Body for single solenoid valve (option)
22	-	3002.0305	Einfachmagnetventil kpl. (Option)	Single solenoid valve cpl. (option)
23	-	3002.0314	Gehäuse für Doppelmagnetventil (Option)	body for double solenoid valve (option)
24	-	3002.0327	Doppelmagnetventil kpl. (Option)	Double solenoid valve cpl. (option)
ab Seriennummer 0209603XXXX				from serial. no. 0209603XXXX
25	1	3002.0330	Doppelmagnetventil kpl.	Double solenoid valve cpl.
26	1	3002.0331	Einfachmagnetventil kpl.	Single solenoid valve cpl.
27	1	8621.0100	Fittingsatz Wasseranschluß	Fitting set water connection

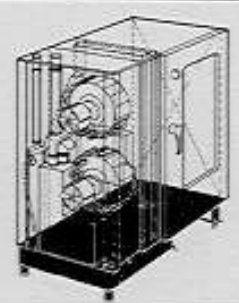


Bottom (Lower elevation)

Component Group	Page	Edition	applicable from Serial No.
10	10.2	10.2.1	020 86 011011

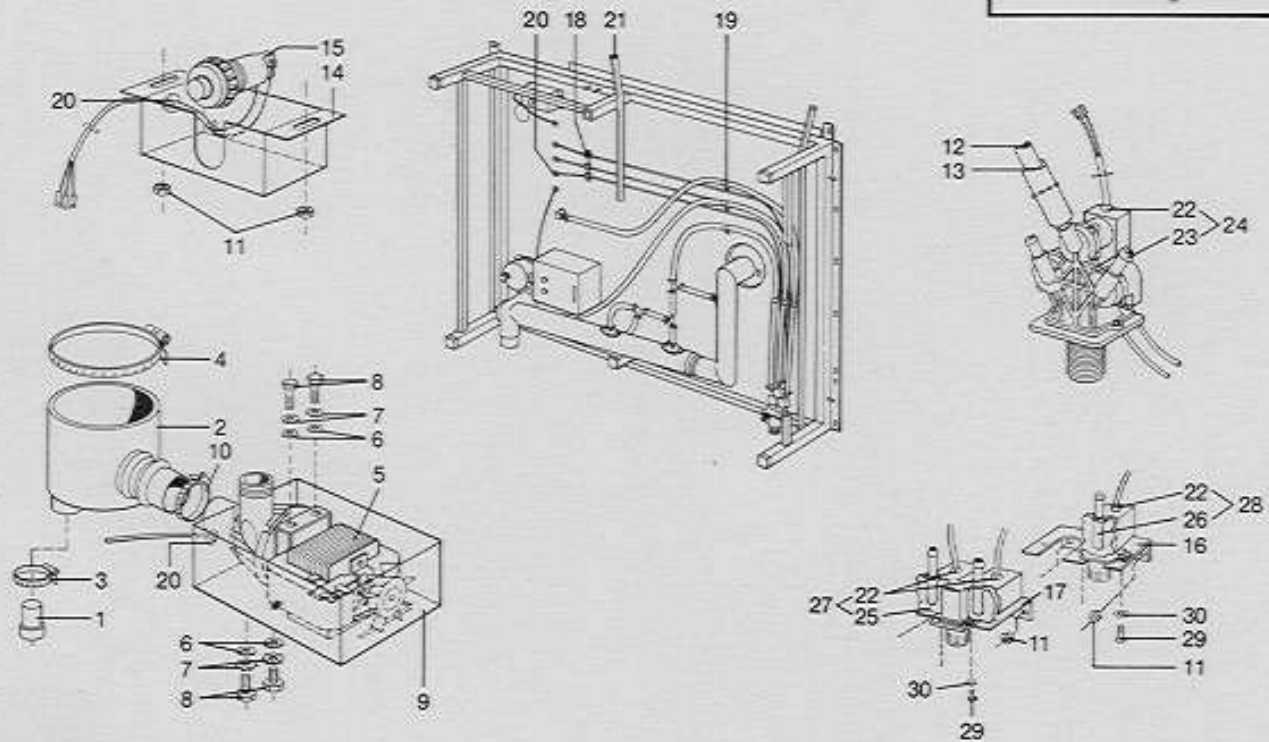


Pos.	Pcs.	Sp.	Part No.	Description	Sign	Pos.	Pcs.	Sp.	Part No.	Description	Sign
1	2		5012.0529	sealing ring for elbow fitting		28	2		3002.0301	body for 2 single solenoid valves (option)	
2	2		2062.0200	elbow fitting G 3/4"		29	1		2580.910401	holder for 2 single solenoid valves (option)	
3	7		2066.0202	hose clamp 12 - 22 mm		30	2		1204.0120	toothed lock washer A 4,3	
4	1		2067.0303	pressure hose 225 mm long		31	4		1004.0660	hex socket head cap screw M 4x10	
5	2		1500.1579	reducing nipple G 1/2" x G 3/4"		32	3		2039.0204	plastic cap	
6	1		2036.0501	T-fitting G 1/2"							
7	1		2062.0103	double nipple G 1/2"							
8	1		2062.0100	ball valve							
9	1		2067.0304	pressure hose 530 mm long							
10	1		2580.730385	holder for T-fitting							
11	6		1106.0160	hex nut M6							
12	6		1206.0120	toothed lock washer A 6,4							
13	6		1306.0221	washer A 6,4							
14	1		2062.0203	elbow fitting G 3/4"							
15	1		4006.0202	cable clamp							
16	3		2022.0101	grommet							
17	1		2067.0112	pressure hose 1370 mm long							
18	6		4006.0203	cable clamp							
19	1		1006.0300	slotted raised countersunk head screw							
20	1		1205.0120	toothed lock washer A 5,3							
21	1		1305.0260	washer A 5,3							
22	1		1308.0560	washer							
23	1		2067.0111	pressure hose 1030 mm long							
24	1		3002.0314	body for double solenoid valve							
25	4		4006.0201	cable clamp							
26	2		3002.0324	coil for solenoid valve							
27	1		2580.720384	holder for double solenoid valve							



Bottom (Lower elevation)

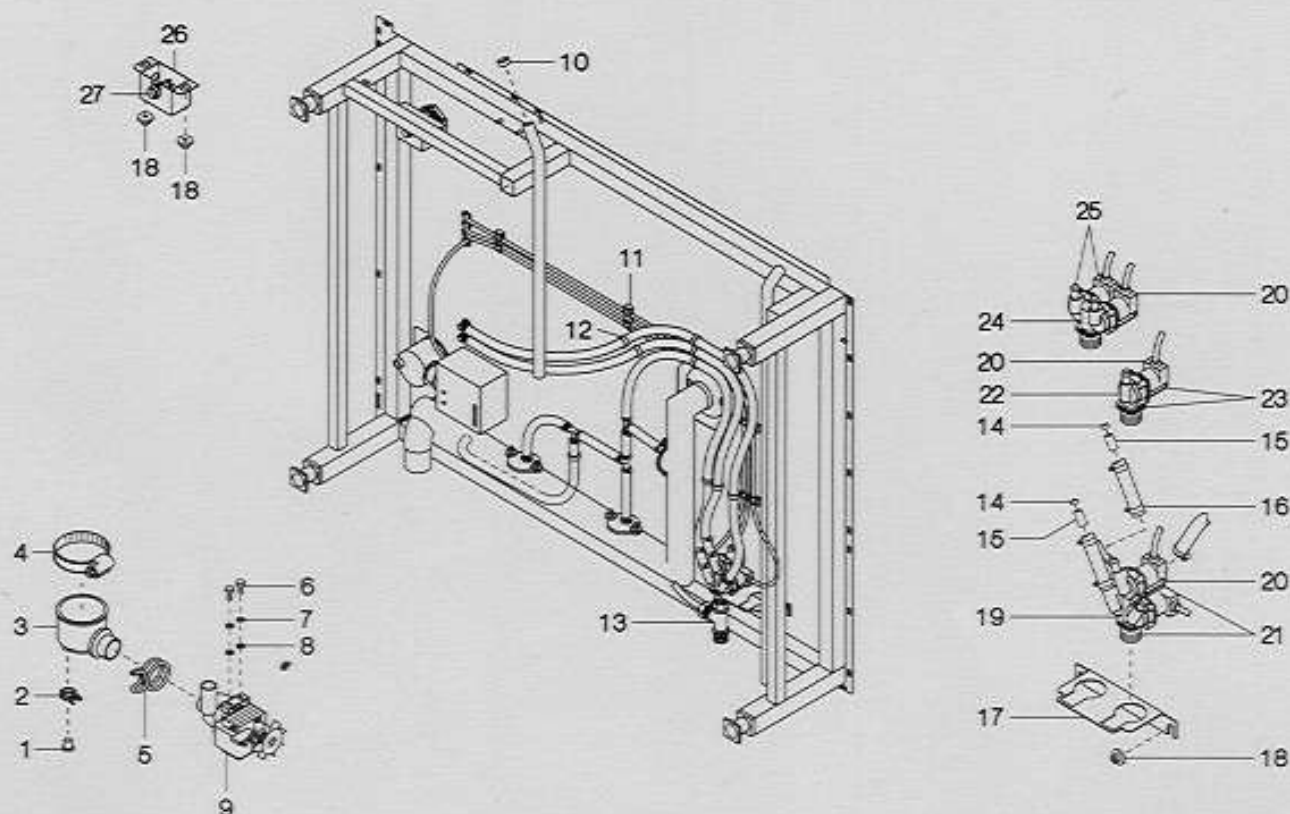
Component Group	Page	Edition	applicable from Serial No.
10	10.2	10.2.3	020 89 10 4001



Pos.	Pcs.	Sp. Part No.	Description	Sign	Pos.	Pcs.	Sp. Part No.	Description	Sign
1	1	2016.0873	stopper for pump connection		25	1	3002.0314	body for double solenoid valve (option)	
2	1	2022.0110	pump connection		26	1	3002.0301	body for single solenoid valves (option)	
3	3	2066.0202	hose clamp		27	1	3002.0304	double solenoid valve complete	
4	1	2066.0505	hose clamp 70-90mm		28	1	3002.0305	single solenoid valves complete	
5	1	3002.1000	discharging pump		29	4	1004.0660	hex socket head screw M 4x10	
6	4	1306.0120	washer A6,4		30	4	1204.0120	toothed lock washer 4,3	
7	4	1206.0120	toothed lock washer A6,4						
8	4	1006.1960	socket countersunk head screw M 6x16						
9	1	2510.690995	cover for discharging pump						
10	1	2066.0506	hose clamp						
11	4	1106.0801	hex-combi-nut M6						
12	1	1900.0103	flow regulator orange						
13	1	2016.0867	socket for flow regulator						
14	1	2581.020843	holder for pushbutton						
15	1	3016.1352	pushbutton						
16	1	2580.910401	holder for single solenoid valves and 1 double solenoid valve (option)						
17	1	2580.720384	holder for triple solenoid valve						
18	10	4006.0201	cable clamp						
19	8	4006.0203	cable clamp						
20	11	2022.0101	grommet						
21	3	2039.0204	plastic cap						
22	3	3002.0324	coil for solenoid valve						
23	1	3002.0315	body for triple solenoid valve						
24	1	3002.0311	triple solenoid valve complete						

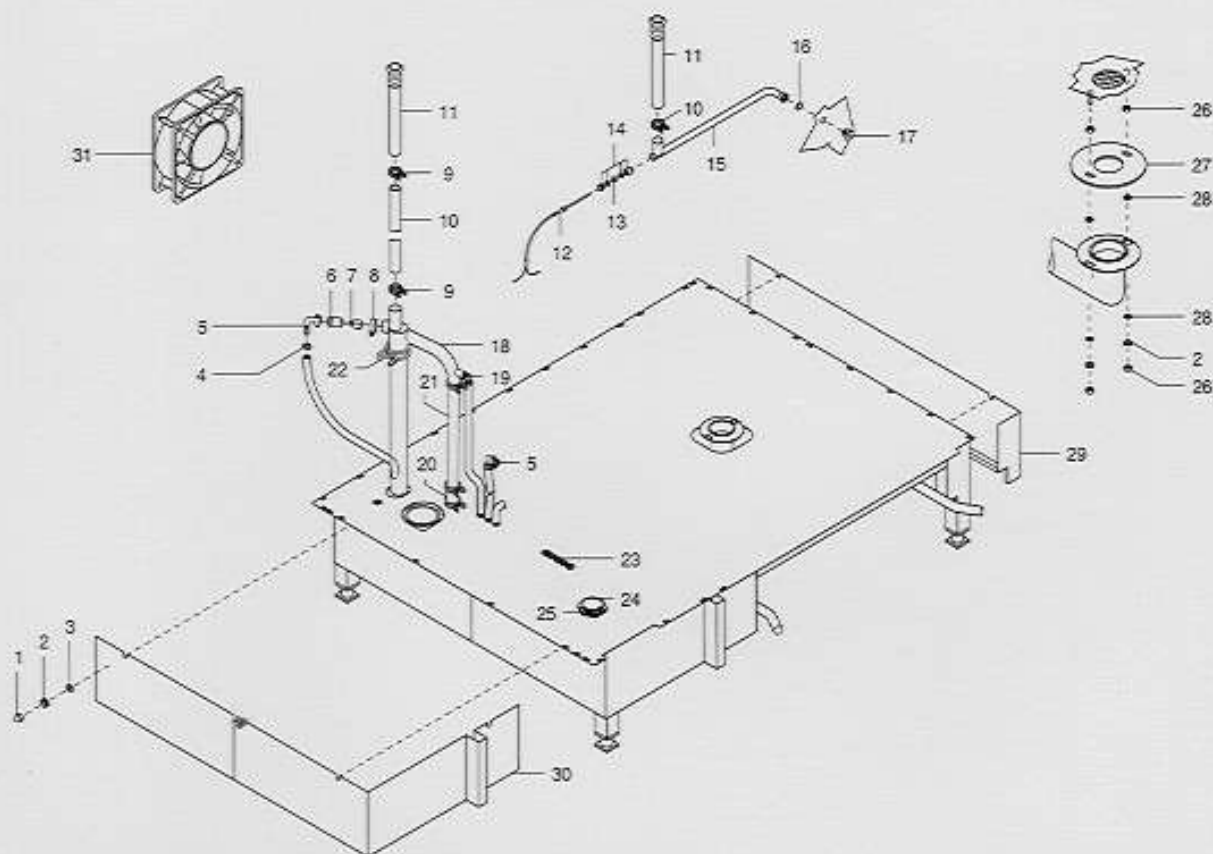
Bottom (Lower elevation)

Voltage	Group	Page	Edition	Application from Serial. No.
3 N AC 380V 50Hz	10	10.2	10.2.4	02091042001



Pos.	Pcs.	Sp. Part No.	Description	Sign.
1	1	2016.0873	end cap for pump connection	
2	1	2066.0517	hose clamp 18,2mm	
3	1	2022.0110	pump connection	
4	1	2066.0516	hose clamp 60-80mm	
5	1	2066.0519	hose clamp 35,6mm	
6	2	1006.1960	hex screw M6x16	
7	2	1206.0120	toothed lock washer A6,4	
8	2	1306.0120	washer A6,4	
9	1	3002.1000	discharging pump	
10	3	2039.0204	plastic cap	
11	10	4006.0201	fixing clip for solenoid cable	
12	13	4006.0203	fixing clip for pressure hose	
13	1	8621.0100	set water connection	
14	1	1900.0103	flow regulator orange	
15	2	2016.0867	socket for flow regulator	
16	5	2066.0205	hose clamp 12-18mm	
17	1	2580.721120	bracket holder	
18	4	1106.0801	hex-combi-nut M6	
19	1	3002.0315	body for triple solenoid valve	
20	3	3002.0329	coil for solenoid valve	
21	1	3002.0328	triple solenoid valve cpl.	
22	1	3002.0301	body for single solenoid valve (option)	
23	1	3002.0305	single solenoid valve cpl. (option)	
24	1	3002.0314	body for double solenoid valve (option)	
25	1	3002.0327	double solenoid valve cpl. (option)	
26	1	2581.020843	holder for push bottom	
27	1	3016.1352	push bottom	S3

Bodengruppe (Oberseite)	Spannung	Baugruppe	Ausgabe	gültig ab Seriennummer
Bottom (Top elevation)	Voltage	Group	Edition	Applicable from Serial.No.
	3 N AC 400V 50Hz	9	9.1.5	02096011001

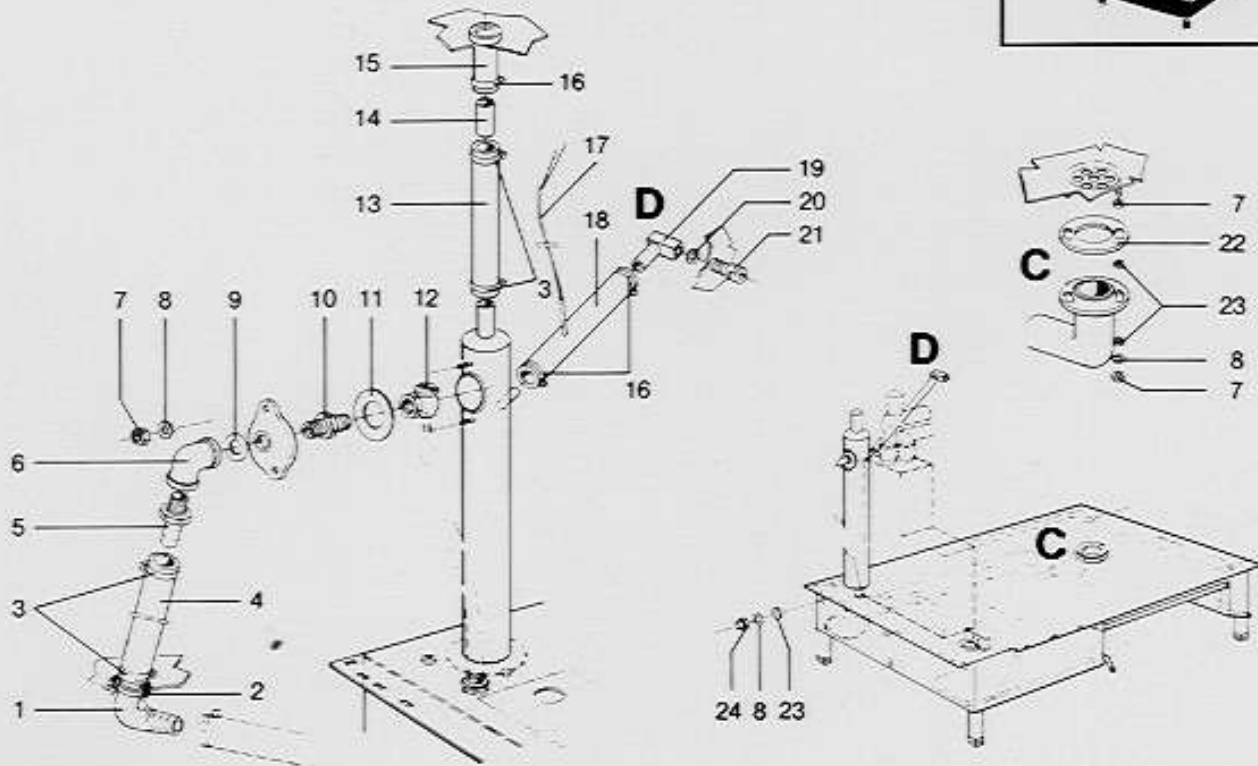


Pos.	St.	Ersatz.Nr.	Bezeichnung	Description
Pos.	Pcs.	Sp. Part No.		
-	-	2067.0050	Druckschlauch NW10 1 lfm.	Pressure hose NW10 per meter
-	1	8612.0111	Ablöschdüse oben komplett	Quench nozzle top
1	6	1106.0360	Hutmutter M6, hohe Form	Cap nut M6, high shape
2	6	1306.0550	Unterlegscheibe A6,6	Washer A6,6
3	8	1206.0120	Zahnscheibe A6,4	Toothed lock washer A6,4
4	7	2066.0205	Schlauchschelle 12-18 mm	Hose clamp 12-18 mm
5	1	2062.0208	Winkelverschraubung G1/2"x10	Elbow Nipple 1/2"x10mm
6	1	2016.0883	Verschraubung Ablöschdüse ab 04/91	Threaded connection for quenching nozzle
7	1	2016.0915	Ablöschdüse oben	Quenching nozzle top
8	1	2066.0506	Schlauchschelle 20-32mm	Hose clamp 20-32mm
9	6	2066.0518	Schlauchklemme 30mm	Hose clamp 30mm
10	1	2610.420321	PP-Rohr 820mm lang Ablaufbelüftung	PP-pipe 820 mm drain vent
11	2	4016.0101	Entlüftungstülle 250mm ab 04/91	Vent grommet 250mm from 04/91
12	1	3014.0155	Thermostat Bypass CD ab 04/91	Thermostat bypass CD ab 4/91
13	1	2022.0100	Silikondurchführung rot 15x4mm	Silicone gasket red
14	1	4007.0600	Kabelverschraubung PG 9 Metall	Cable connection PG9
15	1	2071.0102	Bypassrohr Typ 20 ab 04/91	Bypass pipe type 20 from 04/91
16	1	1315.0104	Kupferdichtung 16x20x1,5	Copper washer 16x20x1,5
17	1	2016.0920	Bypassdüse ab 04/91	Bypass nozzle from 4/91
18	1	2022.0201	Abflußkrümmer ab 04/91	Drain elbow from 04/91
19	1	2062.0301	Winkelschlauchfitting WS 10	Angle fitting plastic WS 10
20	1	2022.0202	Schlauchstutzen 40mm SC-Pumpe	Hose connection piece 40 mm SC-pump
21	1	2644.250288	PP-Rohr 300mm Pumpenanschluß	PP-pipe 300 mm pump connection
22	1	2066.0520	Schlauchklemme d 47 mm	Hose clamp 47 mm
23	10	2022.0101	Durchführungstülle 18 mm	Grommet 18 mm
24	1	4007.0606	Kabelverschraubung PG36 mit Zugentlastung	Cable connection PG36 strain relief
25	1	4007.0607	Polyamid Sechskantmutter für PG36	Lock nut for PG36 polyamid
26	4	1106.0160	Sechskantmutter M6	Hex nut M6
27	1	5012.0555	Dichtung Bodenablauf ab 04/91	gasket for drain from 04/91
28	4	1306.0221	Unterlegscheibe A6,4 DIN9021	Washer A6,4 DIN125
29	1	2510.080149	Verkleidungsblech rechts Typ 20	Side panel right type 20
30	-	8402.0042	Bodenverkleidung links mit Handbrause	Bottom flank cover left with hand shower
30	1	8402.0040	Bodenverkleidung kpl. ohne Handbrause	Bottom cover left without hand shower
31	1	3101.1008	Kühllüfter	Cooling motor

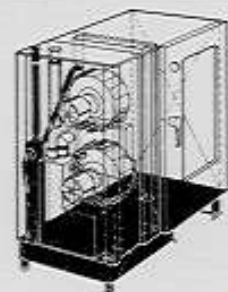


Bottom (Top elevation)

Component Group	Page	Edition	applicable from Serial No.
9	9.1	9.1.1	020 86 011011

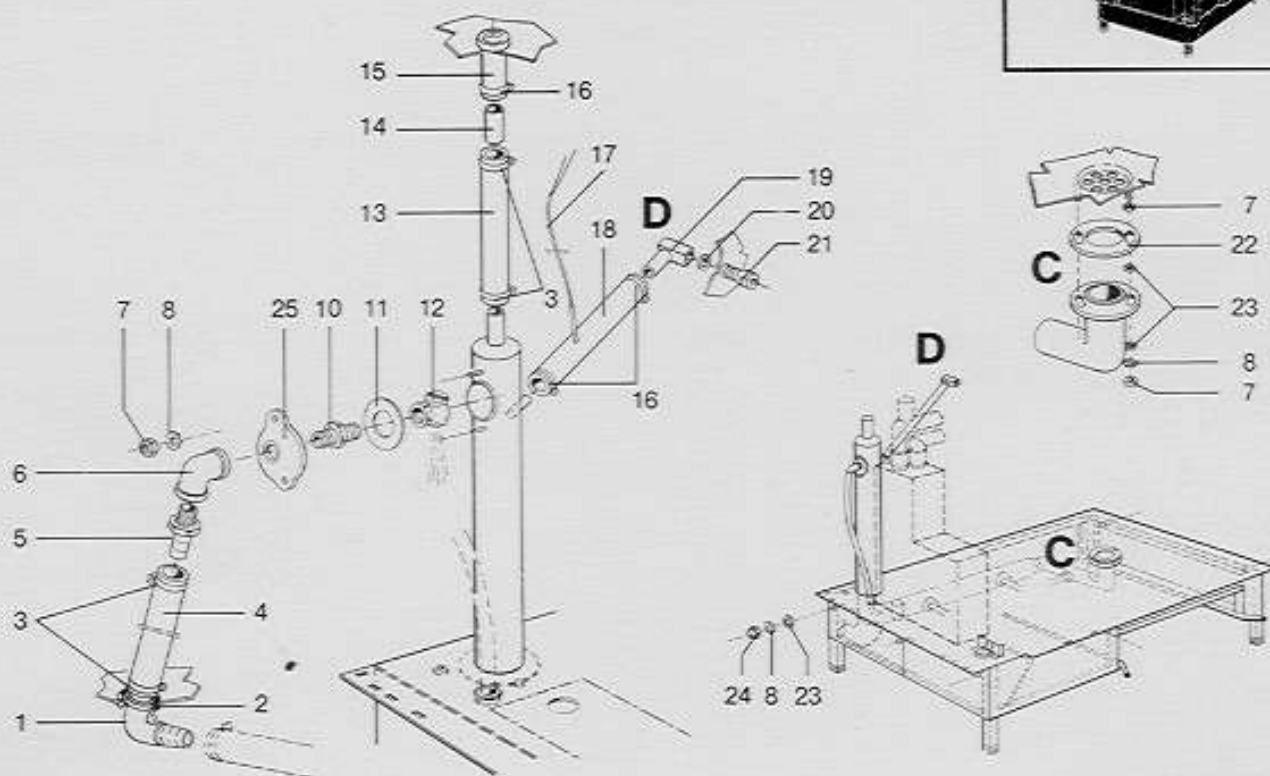


Pos.	Pcs.	Sp.	Part No.	Description	Sign
1	1		2062.0301	plastic elbow fitting	
2	2		2022.0101	grommet	
3	4		2066.0202	hose clamp 12 – 22 mm	
4	1		2067.0103	pressure hose 650mm long	
5	1		2062.0102	hose fitting G 3/8"	
6	1		2064.0300	elbow fitting G 3/8", 90°	
7	8		1106.0160	hex nut M6	
8	10		1206.0120	toothed lock washer A 6,4	
9	1		5012.0532	gasket	
10	1		2064.0200	doubel nipple G 3/8"	
11	1		2070.0020	gasket	
12	1		2016.0900	quench nozzle	
13	1		2067.1607	pressure hose 720 mm long	
14	1		2610.330080	pipe	
15	1		4016.0601	air inlet grommet	
16	5		2066.0506	hose clamp 20 – 32 mm	
17	1		3014.0120	sensor for steam controller P2	
18	1		2067.1612	silicone hose 380 mm long	
19	1		8450.0100	elbow fitting G 1/2", 90° complete	
20	1		1315.0100	copper washer	
21	1		2016.0850	bushing G 1/2"	
22	1		5012.0525	gasket	
23	14		1306.0221	washer A 6,4	
24	6		1106.0360	hex cap nut M6	



Bottom (Top elevation)

Component Group	Page	Edition	applicable from Serial No.
9	9.1	9.1.2	020 88 03 1033



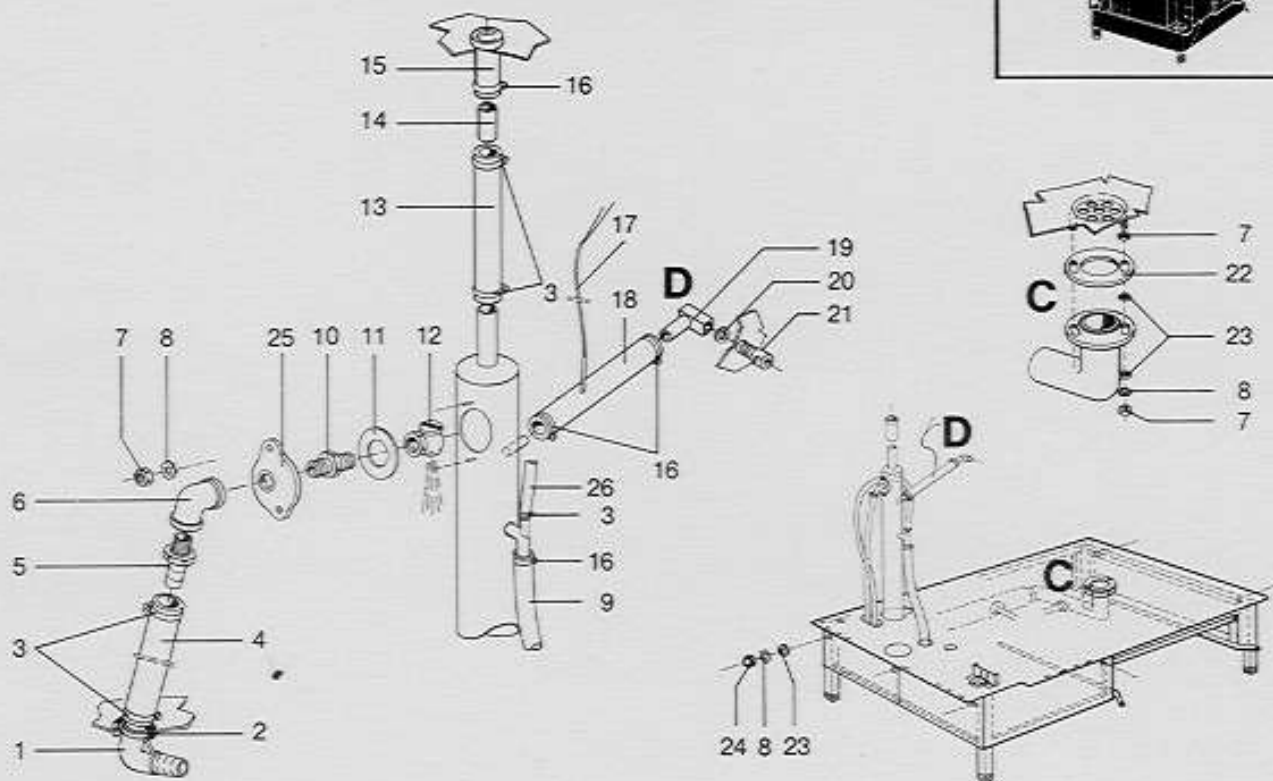
Pos.	Pcs.	Sp. Part No.	Description	Sign
-	1	8612.0105	quench nozzle complete (pos. 5, 6, 9, 25, 10, 11, 12)	
1	1	2062.0301	plastic elbow fitting	
2	2	2022.0101	grommet	
3	4	2066.0202	hose clamp 12 - 22 mm	
4	1	2067.0103	pressure hose 650 mm long	
5	1	2062.0102	hose fitting G 3/8"	
6	1	2064.0300	elbow fitting 3/8", 90 degrees	
7	8	1106.0160	hex nut M6	
8	10	1206.0120	toothed lock washer A6,4	
10	1	2064.0200	doubel nipple G 3/8"	
11	1	2070.0020	gasket	
12	1	2016.0900	quench nozzle	
13	1	2067.1607	pressure hose 720 mm long	
14	1	2610.330080	pipe	
15	1	4016.0601	air inlet grommet	
16	5	2066.0506	hose clamp 20 - 32 mm	
17	1	3014.0152	sensor for steam controller P2	
18	1	2067.1612	silicone hose 380 mm long	
19	1	8450.0100	elbow fitting G 1/2" 90 degrees	
20	1	1315.0100	copper washer	
21	1	2016.0850	bushing G 1/2"	
22	1	5012.0525	gasket	
23	14	1306.0221	washer A6,4	
24	6	1106.0360	hex cap nut M6	
25	1	2070.0021	cover for quench nozzle	

from 02089041042 : 2016.0863



Bottom (Top elevation)

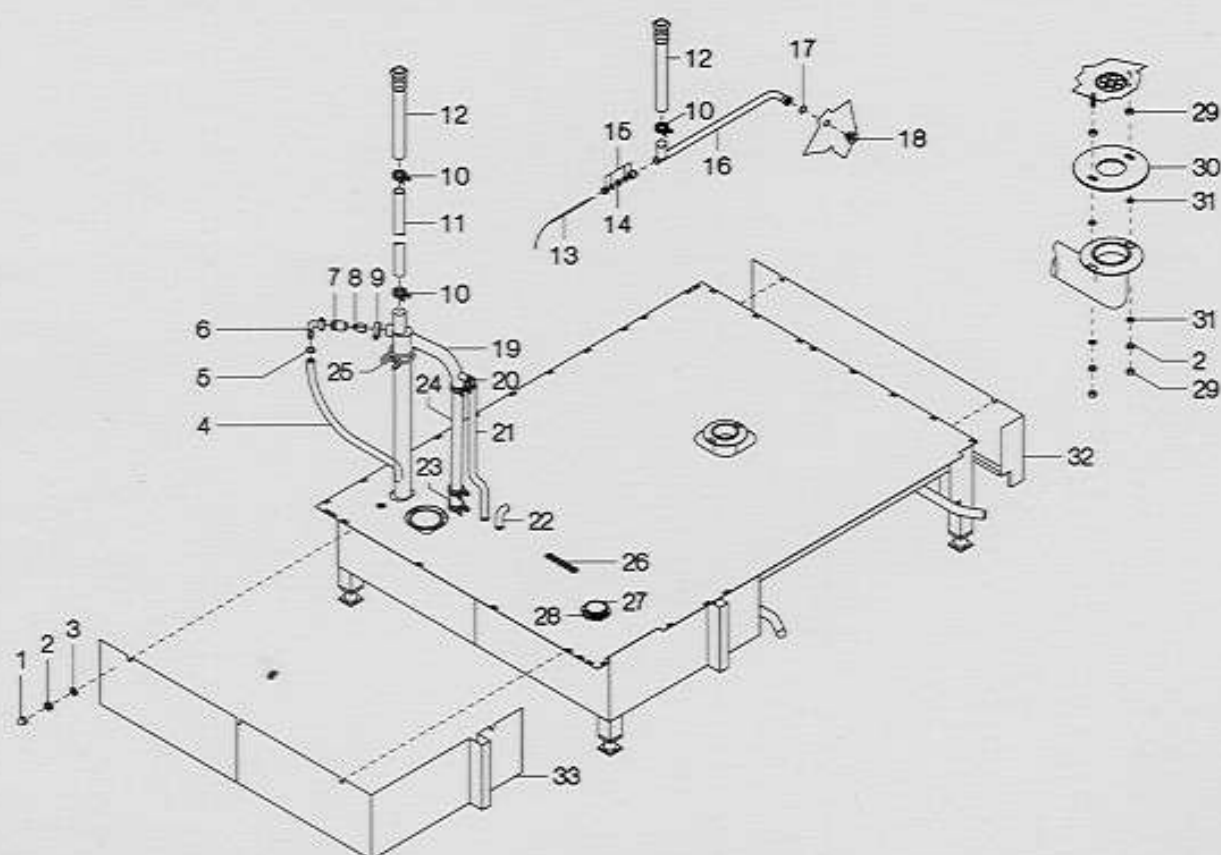
Component Group	Page	Edition	applicable from Serial No.
9	9.1	9.1.3	020 8910 4001



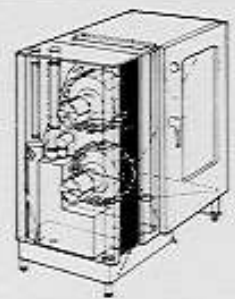
Pos.	Pcs.	Sp. Part No.	Description	Sign
-	1	8612.0105	quench nozzle complete (pos. 5, 6, 9, 25, 10, 11, 12)	
1	3	2062.0301	plastic elbow fitting	
2	5	2022.0101	grommet	
3	5	2066.0202	hose clamp 12 - 22 mm	
4	1	2067.0130	pressure hose	
5	1	2062.0102	hose fitting G 3/8"	
6	1	2064.0300	elbow fitting 3/8", 90 degrees	
7	8	1106.0160	hex nut M6	
8	10	1206.0120	toothed lock washer A6,4	
9	1	2067.1615	silicone hose	
10	1	2064.0200	double nipple G 3/8"	
11	1	2070.0020	gasket	
12	1	2016.0900	quench nozzle	
13	1	2067.1607	pressure hose 720 mm long	
14	1	2610.330080	pipe	
15	1	4016.0601	air inlet grommet	
16	6	2066.0506	hose clamp 20 - 32 mm	
17	1	3014.0152	sensor for steam controller P2	
18	1	2067.1614	silicone hose	
19	1	8450.0100	elbow fitting G 1/2" 90 degrees	
20	1	1315.0100	copper washer	
21	1	2016.0863	bushing G 1/2"	
22	1	5012.0525	gasket	
23	14	1306.0221	washer A6,4	
24	6	1106.0360	hex cap nut M6	
25	1	2070.0021	cover for quench nozzle	
26	1	2067.0105	pressure hose	

Bottom (Top elevation)

Voltage	Group	Page	Edition	Application from Serial. No.
3 N AC 380V 50Hz	9	9.1	9.1.4	02091042001

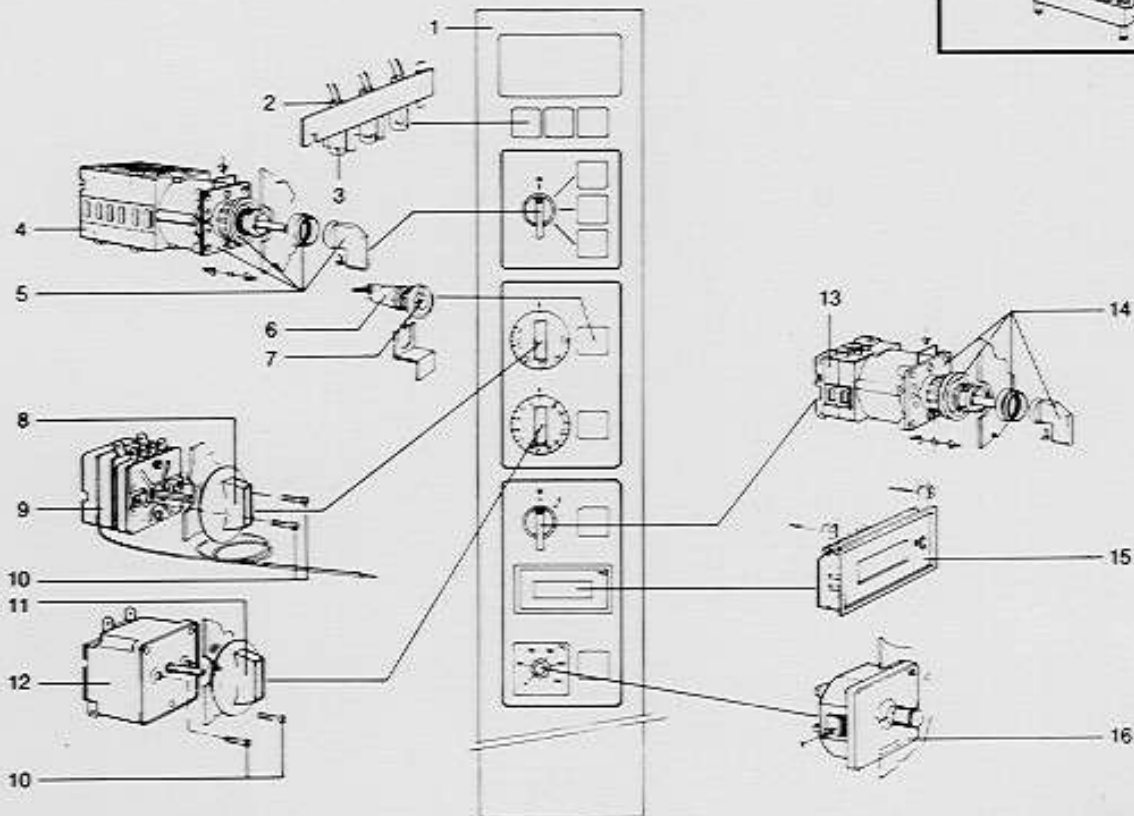


Pos.	Pcs.	Sp. Part No.	Description	Sign.	Pos.	Pcs.	Sp. Part No.	Description	Sign.
-	1	8612.0111	quenching nozzle cpl.		29	4	1106.0160	hex nut M6	
1	6	1106.0360	hex cap nut M6		30	1	5012.0555	gasket	
2	6	1306.0550	washer A6,4		31	5	1306.0221	washer A6,4	
3	8	1206.0120	toothed lock washer A6,4		32	1	2510.080149	bottom plate cover right	
4	1	2067.0156	pressure hose 440mm long		33	1	8402.0042	bottom plate cover with hand shower	
5	7	2066.0205	hose clamp 12-18mm		33	1	8402.0040	bottom plate cover without hand shower	
6	1	2062.0208	threaded pipe angle G1/2"						
7	1	2016.0883	threaded connection for quenching nozzle						
8	1	2016.0915	quenching nozzle						
9	1	2066.0506	hose clamp 20-32mm						
10	5	2066.0518	hose clamp 30mm						
11	1	2610.420321	PP-pipe 820mm long						
12	2	4016.0101	vent connection						
13	1	3014.0155	thermostat bypass	P2					
14	1	2022.0100	gasket						
15	1	4007.0600	cable connection PG9						
16	1	2071.0102	bypass pipe						
17	1	1315.0104	copper washer						
18	1	2016.0920	bypass nozzle						
19	1	2022.0201	drain elbow						
20	1	2062.0301	plastic elbow fitting						
21	1	2067.0157	pressure hose 340mm long for steam generator filling						
22	1	2067.0110	pressure hose 360mm long for steam generator rinsing						
23	1	2022.0202	hose connection piece 40mm long						
24	1	2644.250288	PP-pipe 300mm long						
25	1	2066.0520	hose clamp 46mm						
26	10	2022.0101	grommet						
27	1	4007.0606	cable connection PG36						
28	1	4007.0607	lock nut for PG36						

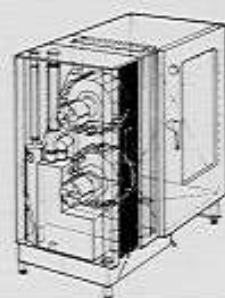


Control Panel

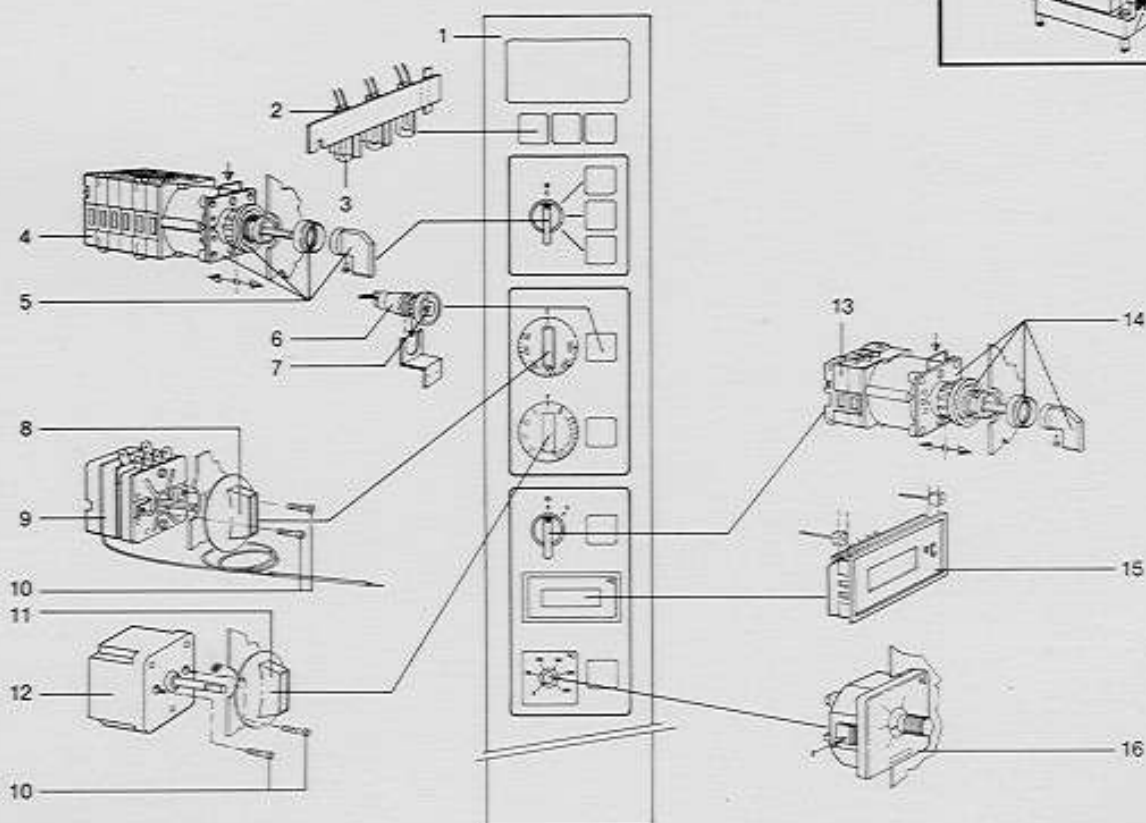
Component Group	Page	Edition	applicable from Serial No.
1	1.1	1.1.1	020 86 011011



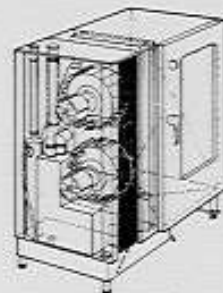
Pos.	Pcs.	Sp.	Part No.	Description	Sign
1	1		2049.0527	control panel	
2	3		3024.0303	socket for control lamp	
3	3		3025.0304	bulb for control lamp	
4	1		3016.1300	mode switch block	S2
5	1		3016.1310	mode switch knob assy	
6	1		3023.0300	socket for heating controller	
7	1		3024.0300	glow lamp for heating controller	
8	1		3013.0201	dial 60° - 300°C	
9	1		3014.0318	thermostat hot air heating	P5
10	4		1004.0060	slotted pan head screw M 4x4	
11	1		3013.0108	dial 120 min	
12	1		3013.0109	timer 120 min	S3
13	1		3016.1500	core temperature switch block	S5
14	1		3016.1310	mode switch block assy	
15	1		3035.0602	liquid crystal display	E2
16	1		3035.0600	potentiometer	E3


Control Panel

Component Group	Page	Edition	applicable from Serial No.
1	1.1	1.1.2	020 88 09 1148

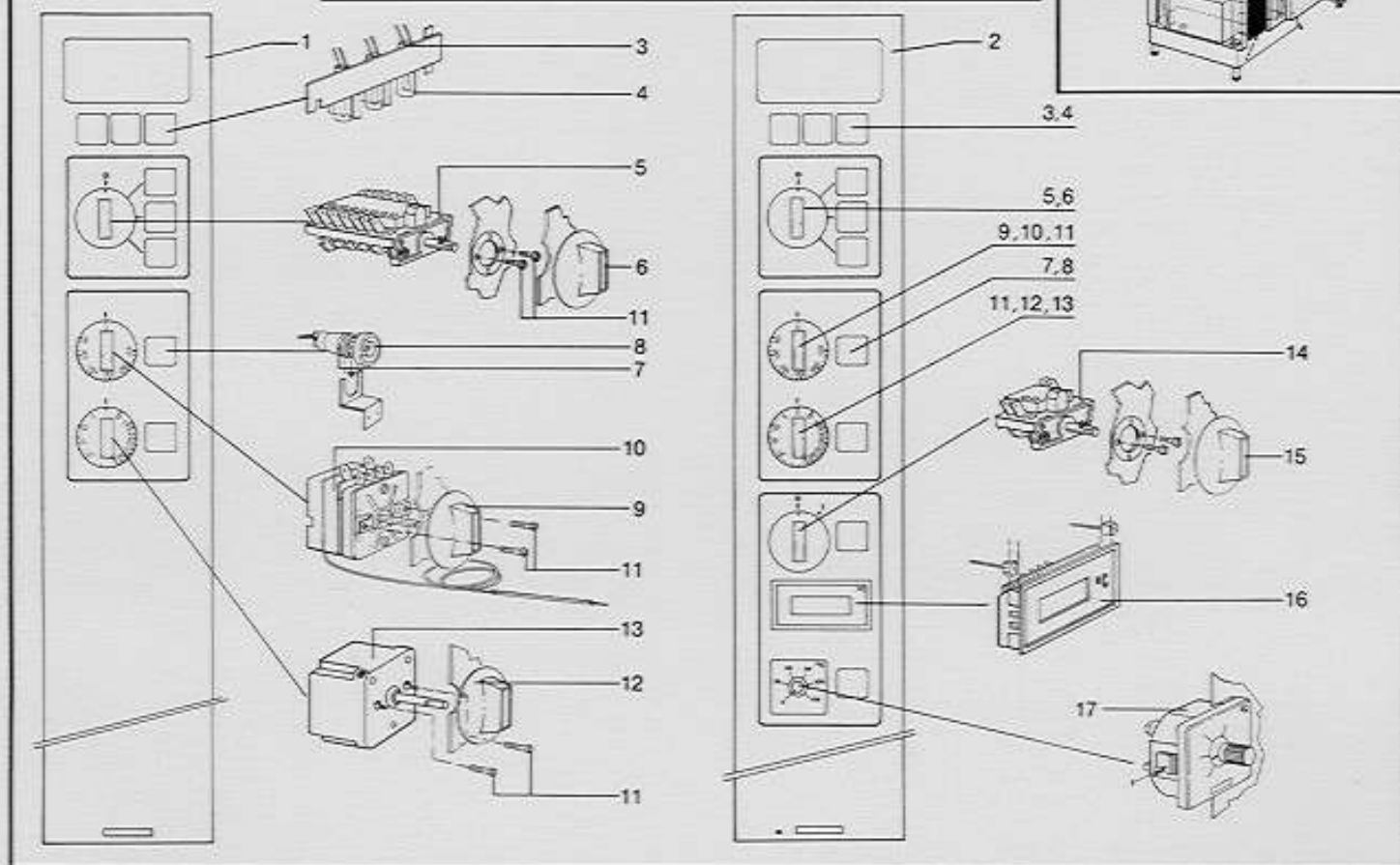


Pos.	Pcs.	Sp.	Part No.	Description	Sign
1	1		2049.0527	control panel	
2	3		3024.0303	socket for control lamp	
3	3		3025.0304	bulb for control lamp	
4	1		3016.1300	mode switch block	S2
5	1		3016.1310	mode switch knob assy	
6	1		3023.0300	socket for heating controller	
7	1		3024.0300	glow lamp for heating controller	
8	1		3013.0201	dial 60 degrees - 300 degrees C	
9	1		3014.0318	thermostat hot air heating	P5
10	4		1004.0060	slotted pan head screw M 4x4	
11	1		3013.0105	dial 30 min. spreading	
12	1		3013.0104	timer 30 min. spreading	S3
13	1		3016.1500	core temperature switch block	S5
14	1		3016.1310	mode switch block assy	
15	1		3035.0602	liquid crystal display	E2
16	1		3035.0600	potentiometer	E3

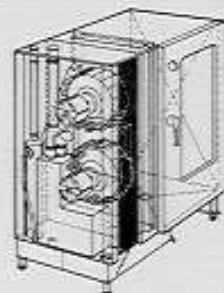


Control Panel

Component Group	Page	Edition	applicable from Serial No.
1	1.1	1.1.3	020 89 04 1042

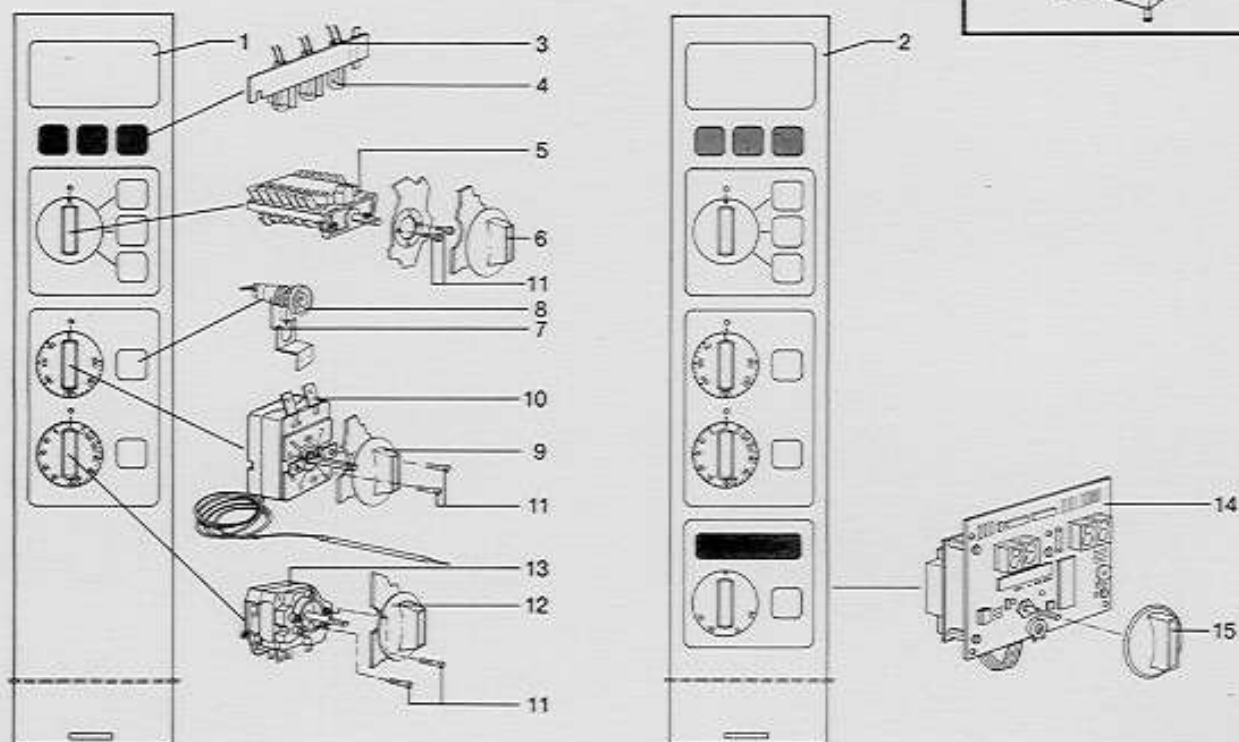


Pos.	Pcs.	Sp.	Part No.	Description	Sign
1	1		2049.0736	control panel	
2	1		2049.0675	control panel with core temperature/meat probe	
3	3		3024.0303	socket for control lamp	from 02089071146: 1 8430.7110 lamp block complete
4	3		3025.0304	bulb for control lamp	from 02089071146: 3 3025.0306 bulb for control lamp
5	1		3016.1610	mode switch	S2
6	1		3013.0113	dial for mode switch	
7	1		3023.0300	socket for heating controller	
8	1		3024.0300	glow lamp for heating controller	
9	1		3013.0201	dial 60 - 300 degrees C	
10	1		3014.0318	thermostat hot air heating	P5
11	8		1004.0060	slotted pan head screw M 4x4	
12	1		3013.0105	dial 30 min spreading	
13	1		3013.0104	timer 30 min spreading	S3
14	1		3016.1620	core temperature switch	S5
15	1		3013.0113	dial for core temperature	
16	1		3035.0602	liquid crystal display	E2
17	1		3035.0600	potentiometer	E3



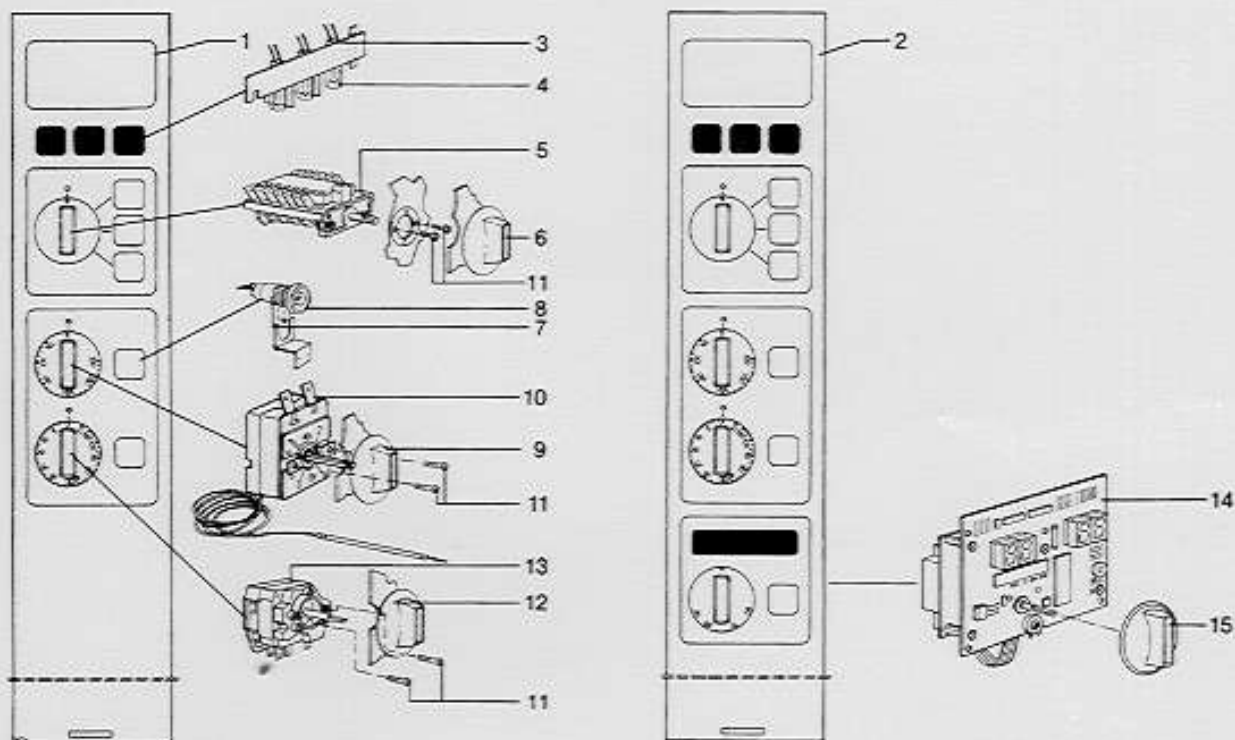
Control Panel

Component Group	Page	Edition	applicable from Serial No.
1	1.1	1.1.4	020 8910 4001

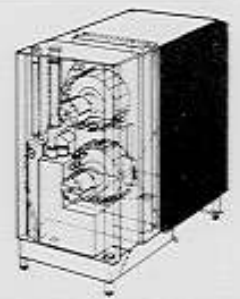


Pos.	Pcs.	Sp. Part No.	Description	Sign
1	1	2049.0736	control panel	
2	1	2049.0753	control panel with core temperature/meat probe	
3	1	8430.7110	lamp block complete	
4	3	3025.0306	bulb for control lamp 220 - 260 V, 3 - 7 W	
5	1	3016.1640	mode switch	S2
6	1	3013.0113	dial for mode switch	
7	1	3023.0300	socket for heating controller	
8	1	3024.0300	glow lamp for heating controller	
9	1	3013.0201	dial 60 - 300 degrees C	
10	1	3014.0318	thermostat hot air heating	P5
11	8	1004.0060	slotted pan head screw M 4x4	
12	1	3013.0105	dial 30 min spreading	
13	1	3013.0104	timer 30 min spreading	S3
14	1	3035.0630	meat probe controller	A2
15	1	3013.0114	dial for meat probe controller	

Bedienblende Control Panel	Spannung Voltage 3 N AC 400V 50Hz	Baugruppe Group 1	Ausgabe Edition 1.1.5	gültig ab Seriennummer Applicable from Serial.No. 02096011001
---	---	-------------------------	-----------------------------	---

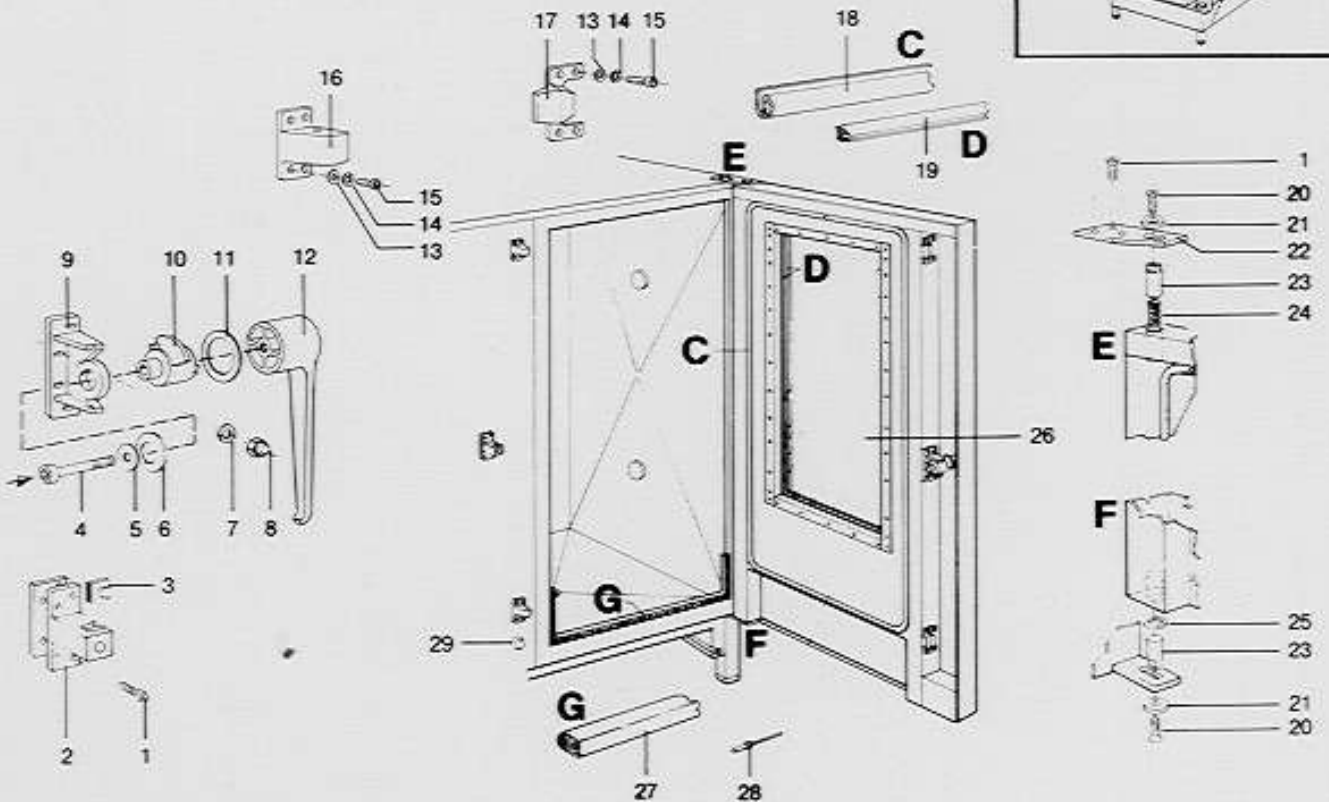


Pos.	St.	Ersatzl.Nr.	Bezeichnung	Description
Pos.	Pcs.	Sp. Part No.		
1	1	2049.0736	Blende	Control panel
2	1	2049.0753	Blende mit Kerntemperatur	Control panel with core temperature
3	3	8430.7110	Lampenblock kpl. CD	Lamp-block complete CD
4	3	3025.0306	Glühlampe für Kontrolleuchte	Bulb for control lamp type CD
5	1	3016.1640	Betriebsartenschalter CD	Mode switch block type CD
6	1	3013.0113	Knebel Betriebsart/KT-Schalter	Dial for mode switch/ CT switch
7	1	3023.0300	Fassung für Heizungskontrolleuchte	Socket for heating control
8	1	3024.0300	Glimmlampe 230V, für Heizungskontrolleuchte	Glow lamp for heating control
9	1	3013.0201	Knebel für Heißluftthermostat Typ CD 60-300°C	Dial 60-300°C type CD
10	1	3014.0318	Thermostat Heißluftheizung 60-300°C	Thermostat hot air 60-300°C from 03/88
11	8	1004.0060	Zylinderschraube mit Schlitz M4x4	Slotted pan head screw M4x4
12	1	3013.0105	Knebel für Zeitschaltuhr mit 30min Spreizung	Dial for timer with 30min. spreading
13	1	3013.0104	Zeitschaltuhr 120min. mit 30Min.Spreizung	Timer white 120min. with 30min.
14	1	3035.0630	Regelplatine KT, Typ CD ab 10/89	CT PCB type CD from 10/89
15	1	3013.0114	Knebel f. KT-Schalter Typ CD ab 10/89	Dial for CT switch type CD from 10/89
-	1	3014.1615	Türkontaktschalter	Door contact switch

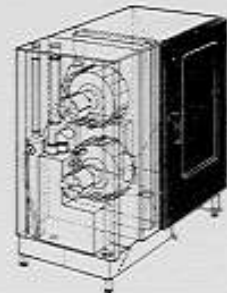


Door

Component Group	Page	Edition	applicable from Serial No.
8	8.1	8.1.1	020 86 011011

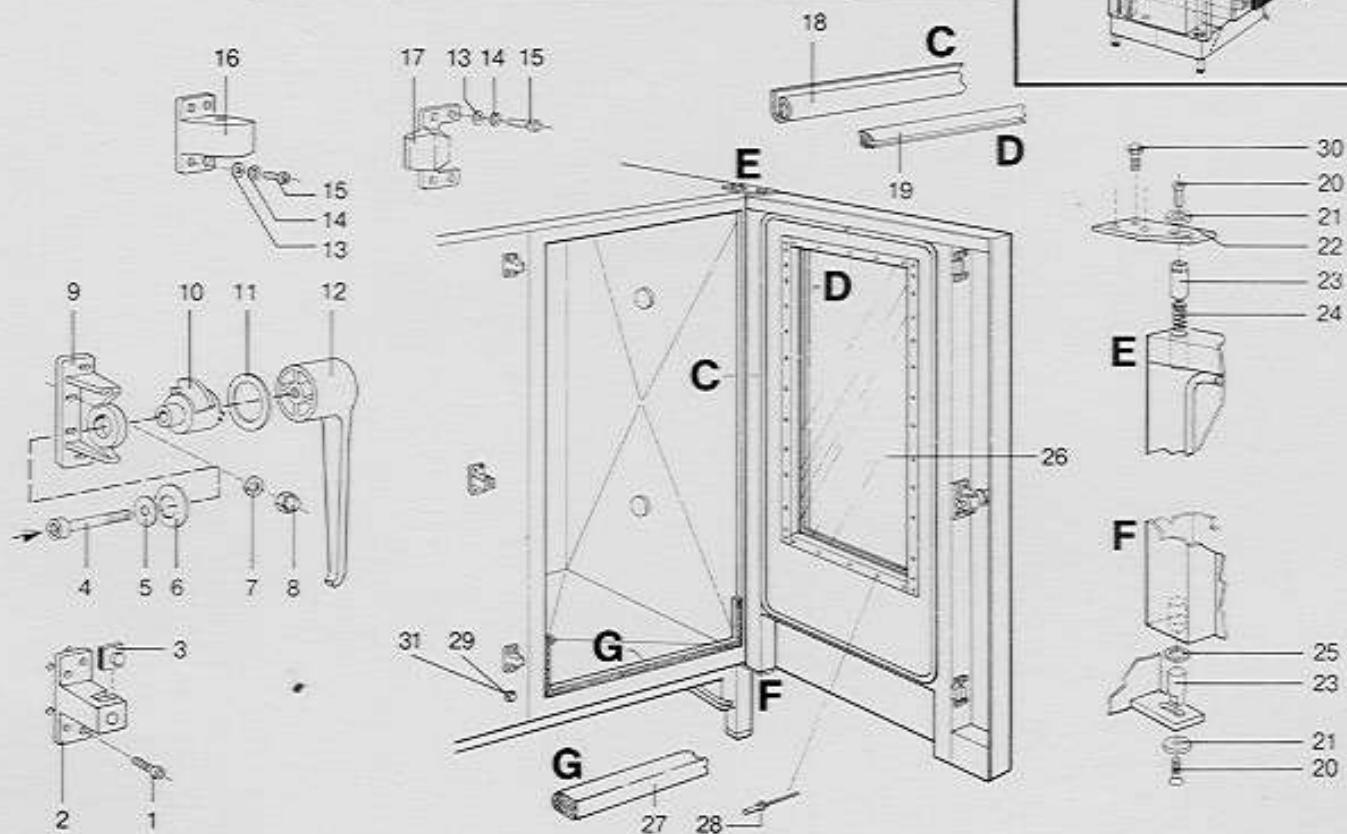


Pos.	Pcs.	Sp.	Part No.	Description	Sign	Pos.	Pcs.	Sp.	Part No.	Description	Sign
-	1		8202.7100	door complete		28	50		1603.0165	rivet	
1	7		1006.1960	socket countersunk head screw M6x16		29	1		3016.1400	door switch	S1
2	1		2016.0603	door catch							
3	1		2016.0605	plastic insert							
4	1		2016.1456	hex socket head cap screw M10x70							
5	1		2016.1454	washer A 10,5							
6	1		2016.1455	disc spring A 40x20							
7	4		1306.0120	washer A 6,4							
8	4		1106.0360	hex cap nut M6							
9	1		2016.1457	mounting base							
10	1		2016.1452	cam							
11	1		2016.1453	plastic washer							
12	1		2016.1450	door handle							
13	16		1305.0260	washer A 5,3							
14	16		1205.0360	spring washer							
15	16		1005.0661	hex socket head cap screw M 5x20							
16	2		2016.0604	ball catch female							
17	2		2016.1300	ball catch male							
18	1		5012.0700	door gasket							
19	1		5012.0200	window gasket							
20	2		1008.1960	socket countersunk head screw M 8x30							
21	2		2031.0800	rosette							
22	1		2580.650381	holder plate							
23	2		2016.0802	door bolt							
24	1		2001.0104	compression spring							
25	1		2031.0900	washer							
26	1		5015.0804	door window							
27	1		5012.050402	gasket							

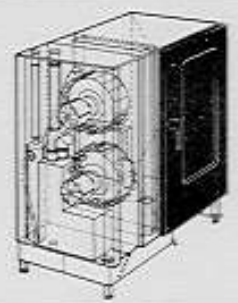


Door

Component Group	Page	Edition	applicable from Serial No.
8	8.1	8.1.2	020 87 08 1458

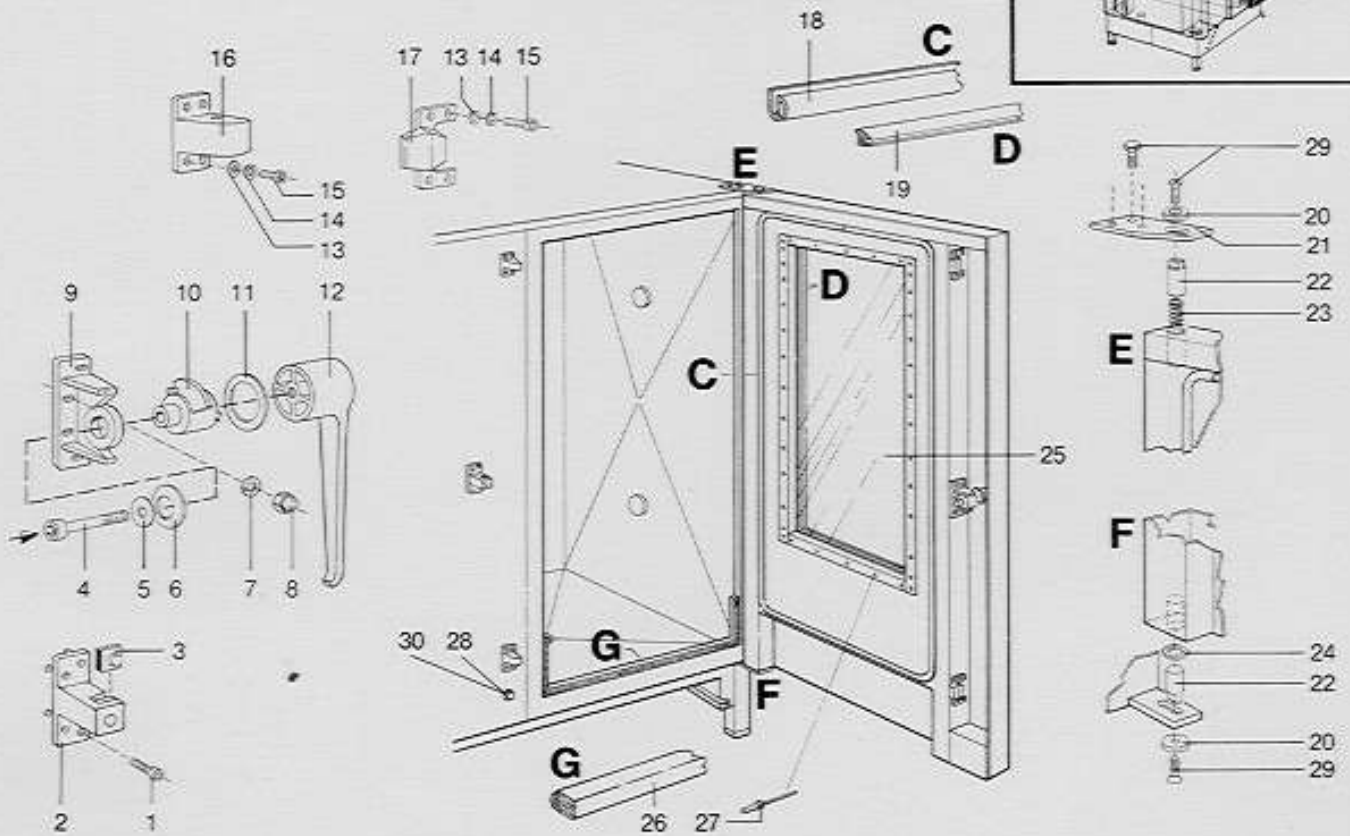


Pos.	Pcs.	Sp. Part No.	Description	Sign	Pos.	Pcs.	Sp. Part No.	Description	Sign
-	1	8202.7100	door complete		27	1	5012.0551	set gasket for HGW	
-	1	2016.1400	door lock complete		28	50	1603.0165	rivet	
			(pos. 12,11,10,9,6,5,4)		29	1	3016.1400	door switch	S3
1	4	1006.1960	socket countersunk head screw M 6x16		30	5	1008.0763	socket countersunk head screw M 8x20	
2	1	2016.0603	door catch		31	1	4016.0500	grommet	
3	1	2016.0605	plastic insert						
4	1	2016.1456	hex socket head cap screw M 10x70						
5	1	2016.1454	washer A10,5						
6	1	2016.1455	disc spring A 40x20						
7	4	1306.0120	washer A6,4						
8	4	1106.0360	hex nut M6						
9	1	2016.1457	mounting base						
10	1	2016.1452	cam						
11	1	2016.1453	plastic washer						
12	1	2016.1450	door handle						
13	16	1305.0260	washer A5,3						
14	16	1205.0360	spring washer						
15	16	1005.0661	hex socket head screw M 5x20						
16	2	2016.0604	ball catch female						
17	2	2016.1300	ball catch male						
18	1	5012.0702	set door gasket						
19	1	5012.0204	set window gasket						
20	2	1008.1960	socket countersunk head screw M 8x30						
21	2	2031.0800	rosette						
22	1	2580.960495	holder plate						
23	2	2016.0802	door bolt						
24	1	2001.0104	compression spring						
25	1	2031.0900	washer						
26	1	5015.0804	door window						

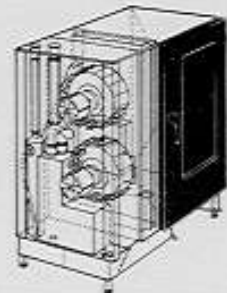


Door

Component Group	Page	Edition	applicable from Serial No.
8	8.1	8.1.3	020 88 09 1149

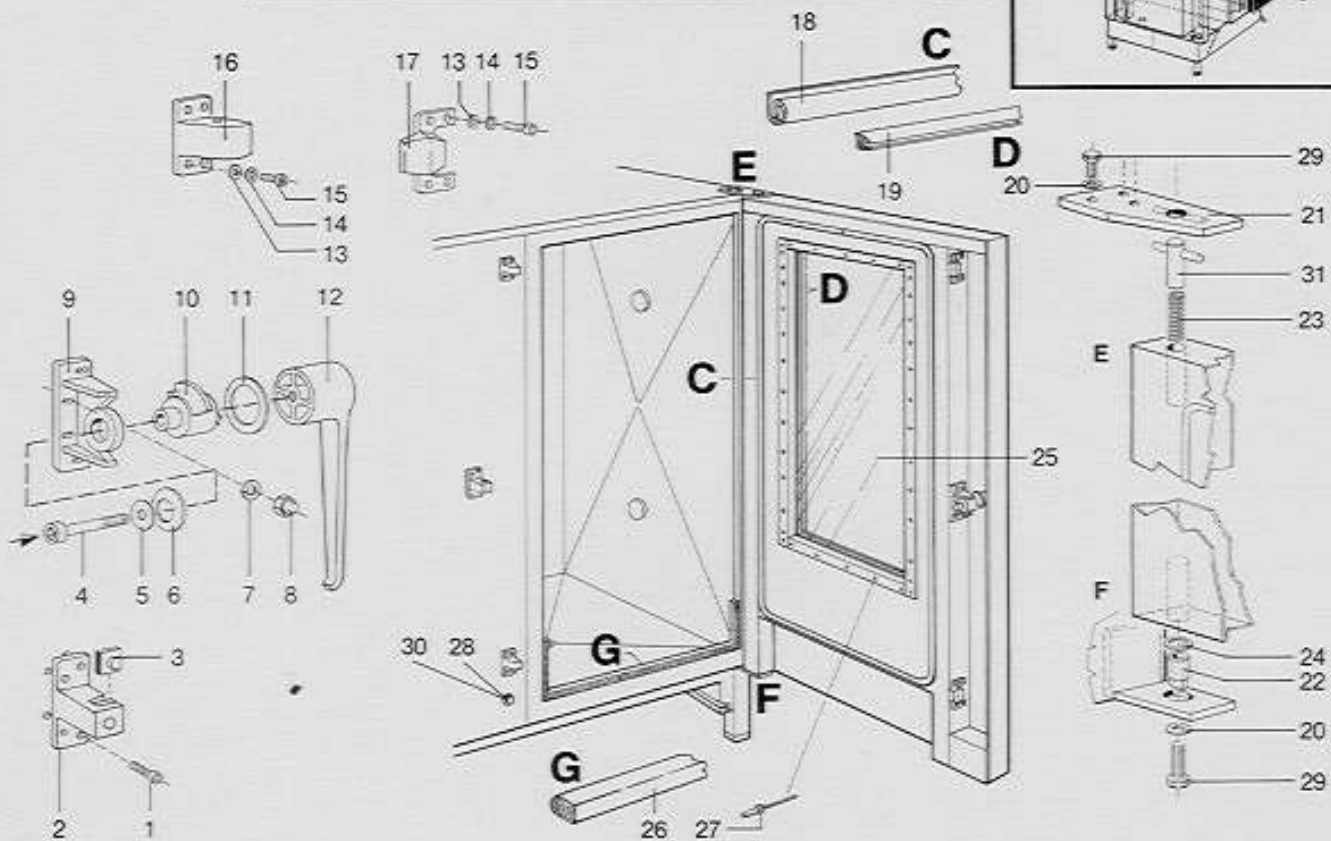


Pos.	Pcs.	Sp. Part No.	Description	Sign	Pos.	Pcs.	Sp. Part No.	Description	Sign
-	1	8202.7100	door complete		28	1	3016.1400	door switch	S3
-	1	2016.1400	door lock complete (pos. 12,11,10,9,6,5,4)		29	5	1008.0763	socket countersunk head screw M 8x20	
1	4	1006.1960	socket countersunk head screw M 6x16		30	1	4016.0500	grommet	
2	1	2016.0603	door catch						
3	1	2016.0605	plastic insert						
4	1	2016.1456	hex socket head cap screw M 10x70						
5	1	2016.1454	washer A10,5						
6	1	2016.1455	disc spring A40x20						
7	4	1306.0120	washer A6,4						
8	4	1106.0360	hex nut M6						
9	1	2016.1457	mounting base						
10	1	2016.1452	cam						
11	1	2016.1453	plastic washer						
12	1	2016.1450	door handle						
13	16	1305.0260	washer A5,3						
14	16	1205.0360	spring washer						
15	16	1005.0661	hex socket head screw M 5x20						
16	2	2016.0604	ball catch female						
17	2	2016.1300	ball catch male						
18	1	5012.0702	set door gasket						
19	1	5012.0204	set window gasket						
20	2	1310.0160	washer						
21	1	2580.960495	holder plate						
22	2	2016.0802	door bolt						
23	1	2001.0104	compression spring						
24	1	2031.0900	washer						
25	1	5015.0804	door window						
26	1	5012.0551	set gasket for HGW						
27	50	1603.0165	rivet						



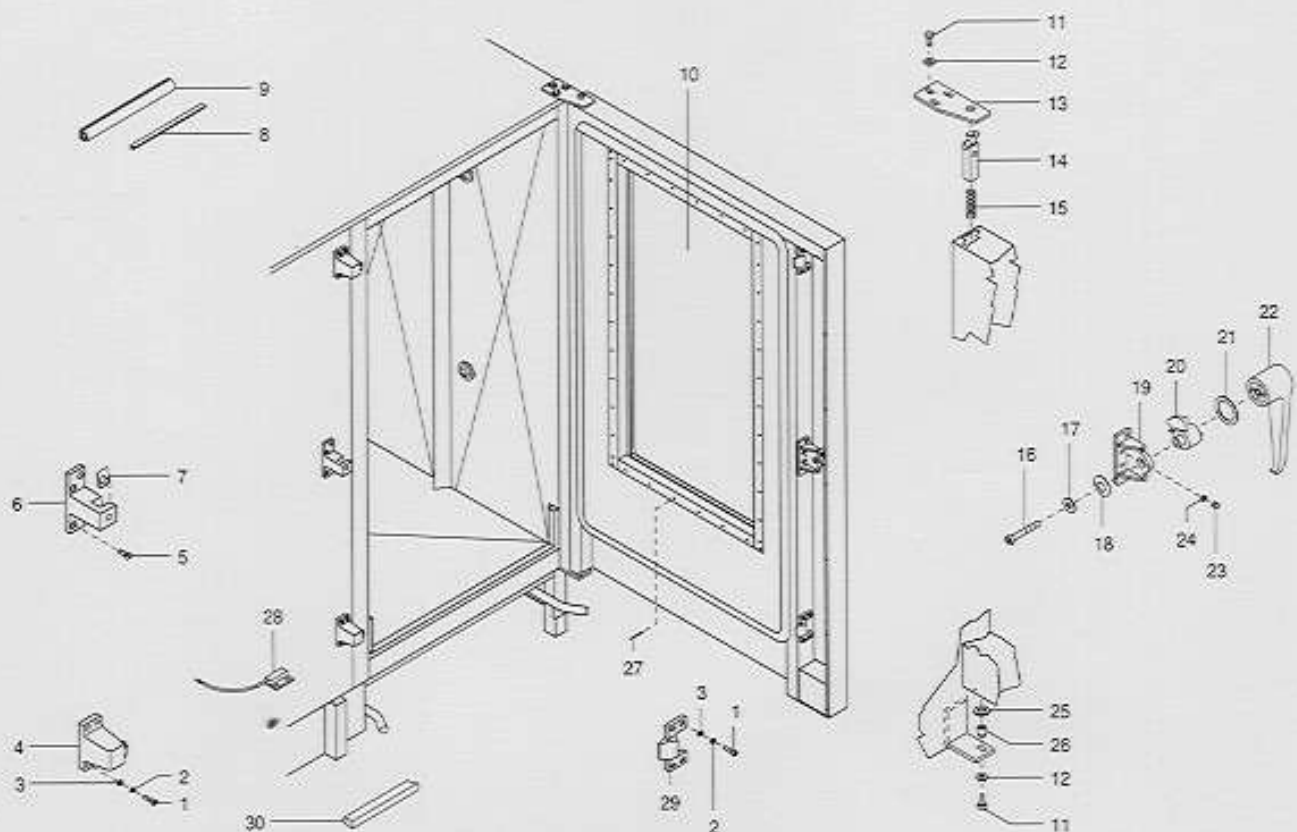
Door

Component Group	Page	Edition	applicable from Serial No.
8	8.1	8.1.4	020 89 04 1153

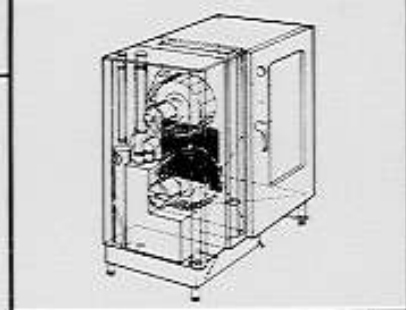


Pos.	Pcs.	Sp.	Part No.	Description	Sign	Pos.	Pcs.	Sp.	Part No.	Description	Sign
-	1		8202.71000489	door complete		28	1		3016.1400	door switch	S3
-	1		2016.1400	door lock complete (pos. 12,11,10,9,6,5,4)		29	5		1008.0763	hex screw M 8x20	
1	4		1006.1960	socket countersunk head screw M 6x16		30	1		4016.0500	grommet	
2	1		2016.0603	door catch		31	1		2031.0866	locking knob	
3	1		2016.0605	plastic insert							
4	1		2016.1456	hex socket head cap screw M 10x70							
5	1		2016.1454	washer A10,5							
6	1		2016.1455	disc spring A 40x20							
7	4		1306.0120	washer A6,4							
8	4		1106.0360	hex cap nut M6							
9	1		2016.1457	mounting base							
10	1		2016.1452	cam							
11	1		2016.1453	plastic washer							
12	1		2016.1450	door handle							
13	16		1305.0260	washer A5,3							
14	16		1205.0360	spring washer							
15	16		1005.0661	hex socket head cap screw M 5x20							
16	2		2016.0604	ball catch female							
17	2		2016.1300	ball catch male							
18	1		5012.0702	set door gasket							
19	1		5012.0204	set window gasket							
20	4		1310.0160	washer A10,5							
21	1		2680.960168	holder plate							
22	1		2016.0802	door bolt							
23	1		2001.0106	compression spring							
24	1		2031.0900	washer							
25	1		5015.0804	door window							
26	1		5012.0551	set gasket for HGW							
27	50		1603.0165	rivet							

Gerätetür Door	Spannung Voltage	Baugruppe Group	Ausgabe Edition	gültig ab Seriennummer Applicable from Serial.No.
	3 N AC 400V 50Hz	8	8.1.5	02096011001

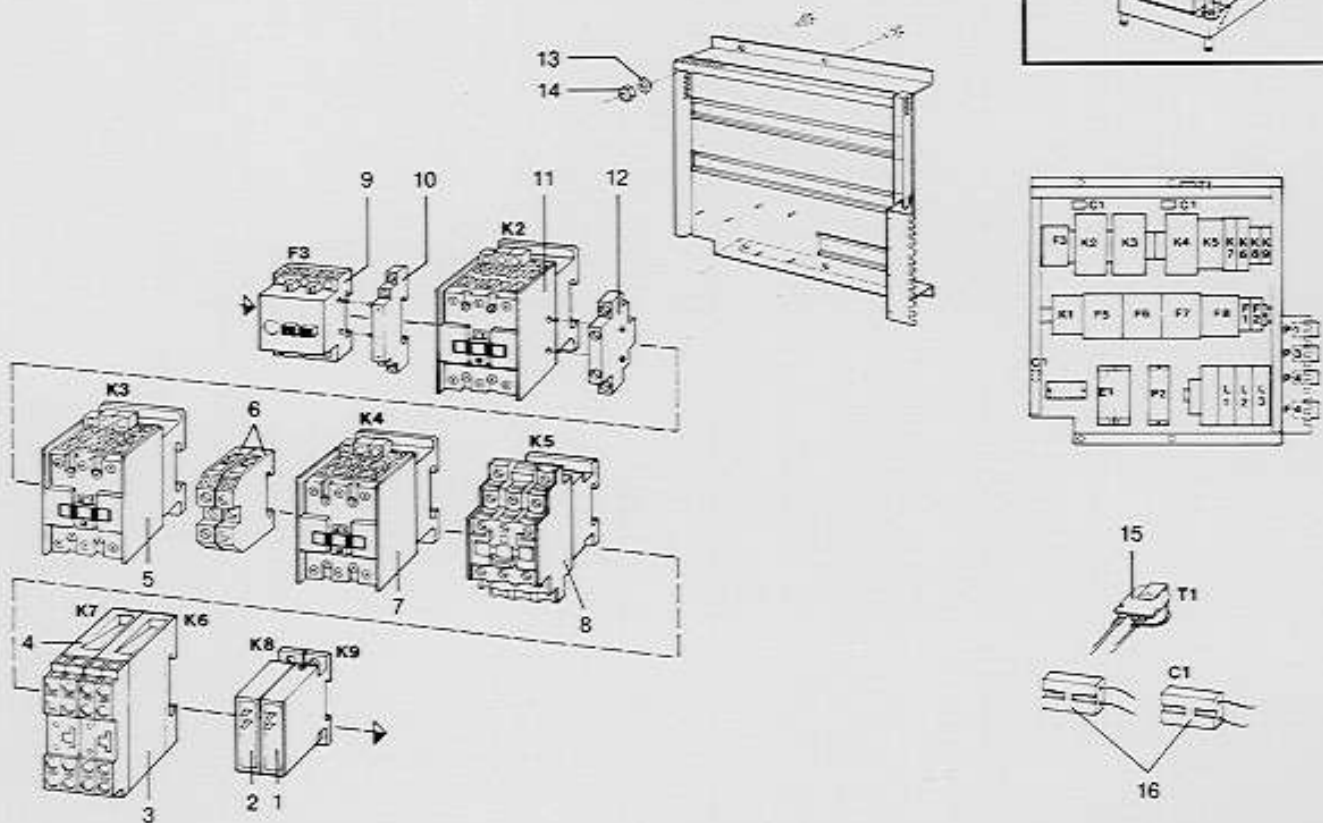


Pos.	St.	Ersatzl.Nr.	Bezeichnung	Description
Pos.	Pcs.	Sp. Part No.		
-	1	8202.75000489	Türe kpl. Typ 20, ohne Griff	Door cpl. type 20 without handle
-	1	2016.1400	Türschloß kpl.	Door lock cpl.
1	16	1005.0661	Zylinderschraube mit Innensechskant M5x20	Hex socket head screw M5x20
2	16	1205.0360	Federring d5	Spring-washer d5
3	16	1305.0260	Unterlegscheibe A5,3 DIN9021	Washer A5,3 DIN9021
4	2	2016.0604	Schließblock	Ball catch
5	4	1006.1960	Senkschraube mit Innensechskant M6x16	Hex socket countersunk head screw M6x16
6	1	2016.0603	Schließkloben	Door catch
7	1	2016.0605	Kunststoffeinsatz für Schließkloben	Plastic insert for door catch
8	1	5012.0204	Satz Dichtung für Scheibe 5,8 m Typ 20	Set gasket for washer 5,8 m type 20
9	1	5012.0702	Satz Türdichtung Typ 20	Set door gasket for type 20
10	1	5015.0804	Glasscheibe Typ 20	Door window CD/CM 20
11	4	1008.0763	Sechskantschraube M8x20	Hex screw M8x20
12	4	1310.0160	Unterlegscheibe A10,5	Washer A 10,5
13	1	2680.960168	Türhalteplatte ab 04/89	Bracket top for door
14	1	2016.0866	Rastknebel für Türe ab 04/89	Door stopping bolt cpl.
15	1	2001.0106	Druckfeder Tür ab 04/89	Compression spring door
16	1	2016.1456	Zylinderschraube mit Innensechskant M10x70	Hex socket head screw M10x70
17	1	2016.1454	Unterlegscheibe A10,5 für Türschloß	Washer A10,5 for door lock
18	1	2016.1455	Tellerfeder A40x20 für Türschloß	Disc spring A40x20 for door lock
19	1	2016.1457	Lagerbock	Mounting base
20	1	2016.1452	Schnecke	Cam
21	1	2016.1453	Kunststoffscheibe f. Türschloß	Plastic washer
22	1	2016.1450	Türgriff	Door handle
23	4	1106.0360	Hutmutter M6, hohe Form	Cap nut M6, high shape
24	4	1306.0120	Unterlegscheibe A6,4 DIN125	Washer A6,4
25	1	2031.0900	Unterlegscheibe d15 für Türe bis 04/89	Washer 15 mm door 201/20 up to 4/89
26	1	2016.0802	Türhaltebolzen d15x20	Door bolt d15x20
27	50	1603.0165	Blindniete 3,2x9,5	Rivet 3.2x9.5, CNS closed
28	1	3016.1415	Türkontaktschalter	Door contact switch
29	2	2016.1300	Schließplatte	Ball catch male
30	1	5012.0551	Satz Dichtung für HGW Typ 20	Set gasket for CD/CM 20

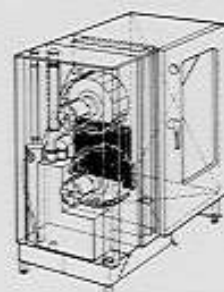


Electrical Installation

Component Group	Page	Edition	applicable from Serial No.
2	2.1	2.1.1	020 86 011011

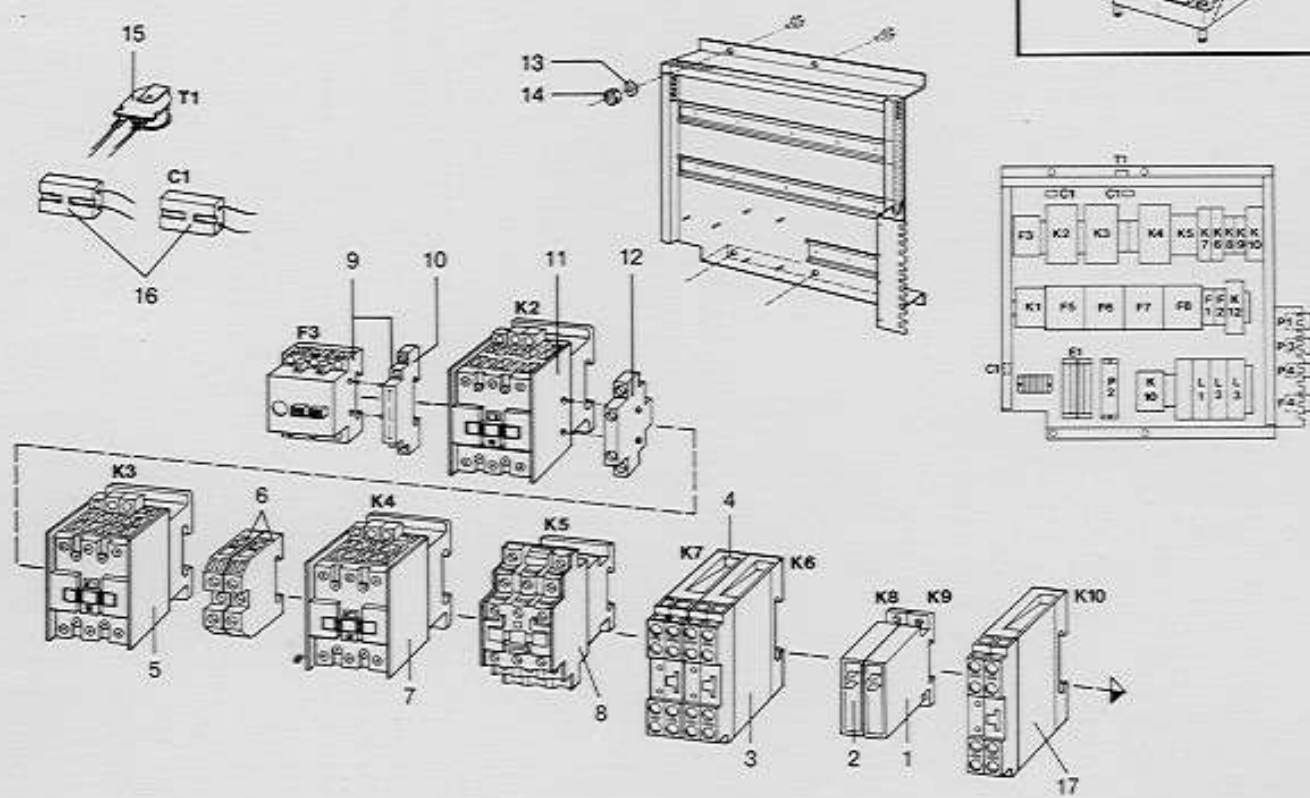


Pos.	Pcs.	Sp.	Part No.	Description	Sign
-	1		3031.0103	motor protector with auxiliary contact	
1	1		3035.0404	time relay 1 sec. start delay	K 9
2	1		3035.0403	time relay - blinker	K8
3	1		3035.0402	time relay low water	K6
4	1		3035.0401	time relay generator filling	K7
5	1		3028.0102	contactor for hot air heating	K3
6	2		4001.1229	terminal block grey 70mm ²	
7	1		3028.0102	contactor steam generator heating	K4
8	1		3028.0101	contactor steam generator heating	K5
9	1		3031.0107	motor protector	F3
10	1		3031.0102	auxiliary contact for motor protector F 3	
11	1		3028.0102	contactor for hot air heating	K2
12	1		3028.0150	auxiliary contact for contactor K2	
13	4		1208.0160	toothed lock washer A 8,4	
14	4		1108.0260	hex nut M 8	
15	1		3006.0101	buzzer	T1
16	2		3035.0508	RC-link	C1



Electrical Installation

Component Group	Page	Edition	applicable from Serial No.
2	2.1	2.1.2	020 88 06 1072

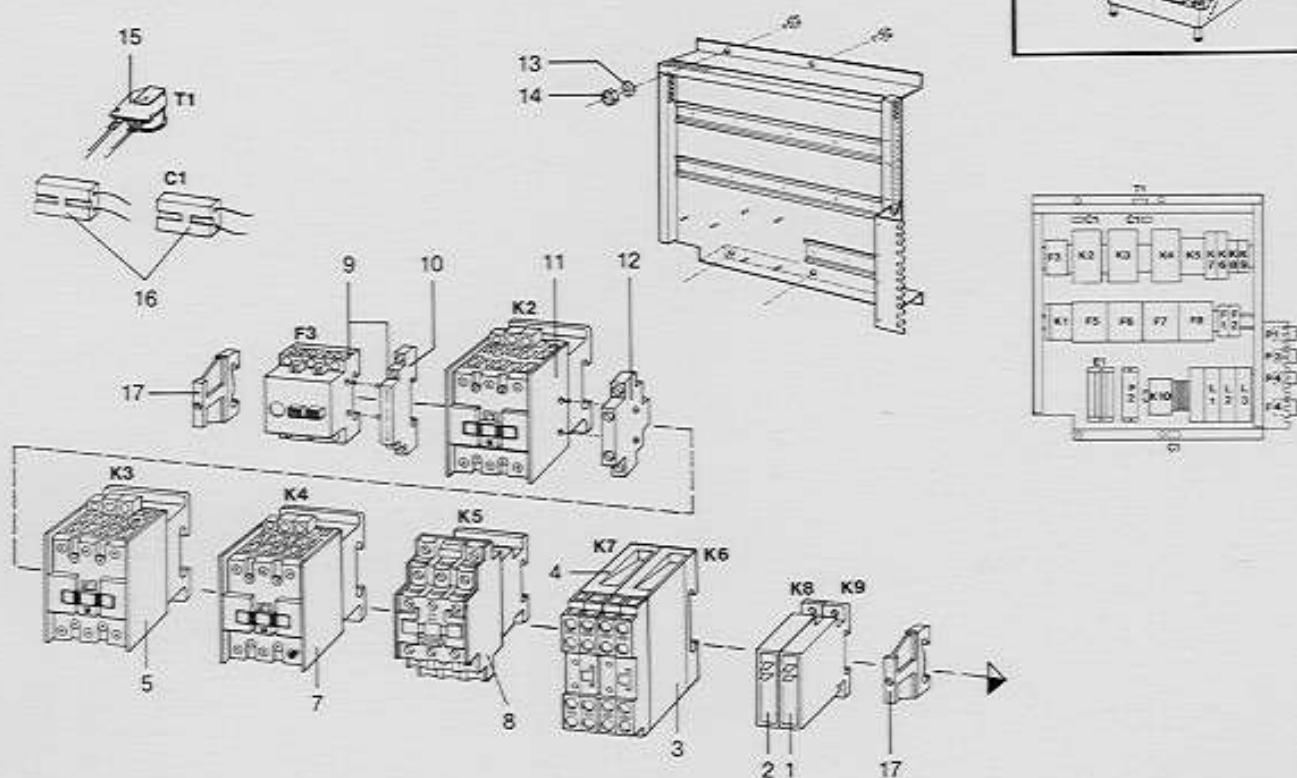


Pos.	Pcs.	Sp.	Part No.	Description	Sign
1	1		3035.0404	time relay 1 sec. start delay	K9
2	1		3035.0403	time relay – blinker	K8
3	1		3035.0402	time relay low water	K6
4	1		3035.0401	time relay generator filling	K7
5	1		3028.0102	contactor for hot air heating	K3
6	2		4001.1206	terminal block grey 35 mm ²	
7	1		3028.0102	contactor steam generator heating	K4
8	1		3028.0101	contactor steam generator heating	K5
9	1		3031.0108	motor protector with auxiliary contact	F3
10	-		3031.0102	auxiliary contact for motor protector	F3
11	1		3028.0102	contactor for hot air heating	K2
12	1		3028.0150	auxiliary contact for contactor K2	
13	4		1208.0160	toothed lock washer A8,4	
14	4		1108.0260	hex nut M8	
15	1		3006.0101	buzzer	T1
16	2		3035.0508	RC-link	C1
17	1		3035.0402	time relay for brake 3 sec.	K10

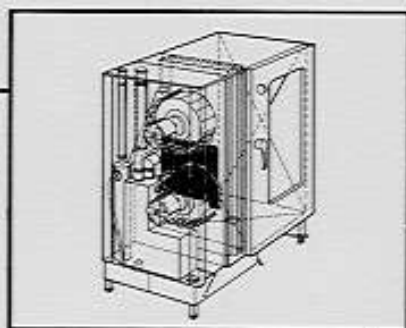


Electrical Installation

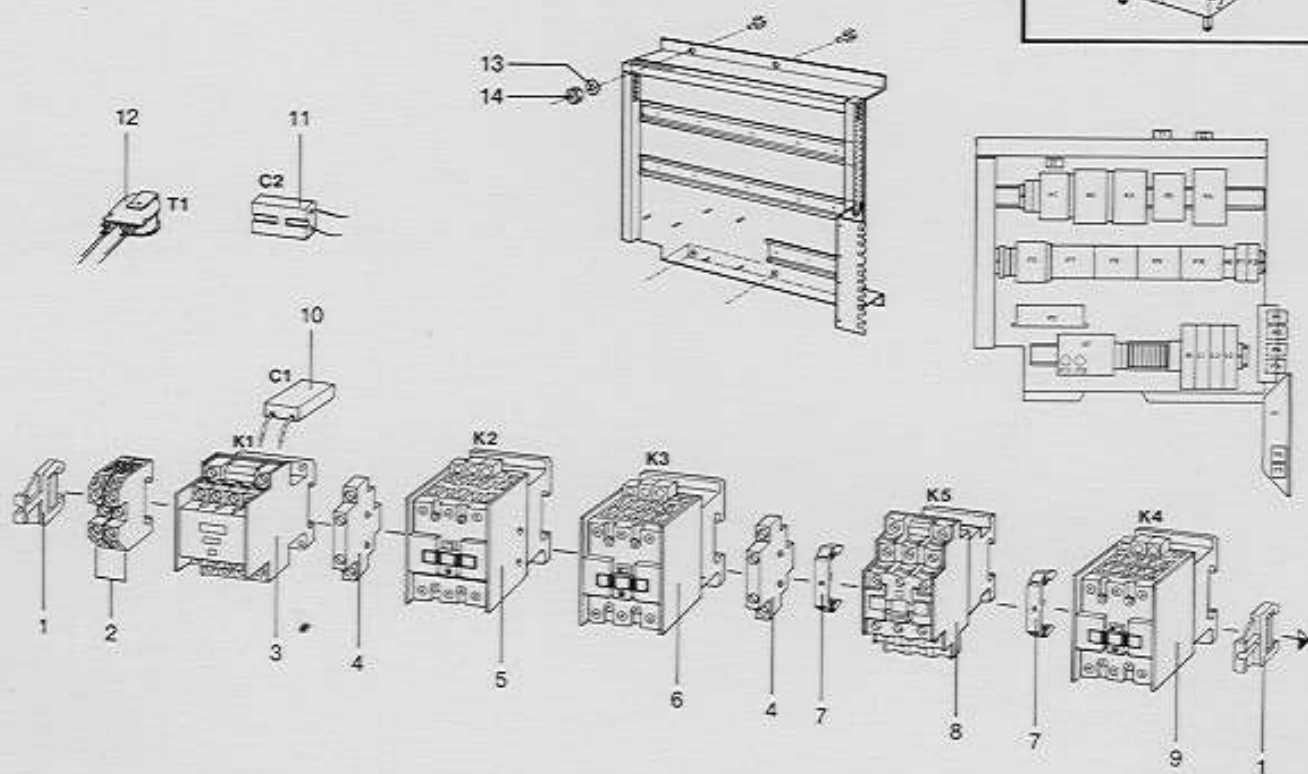
Component Group	Page	Edition	applicable from Serial No.
2	2.1	2.1.3	020 89 04 1042



Pos.	Pcs.	Sp.	Part No.	Description	Sign
1	1		3035.0404	time relay 1 sec. start delay	K9
2	1		3035.0403	time relay - blinker	K8
3	1		3035.0402	time relay low water	K6
4	1		3035.0401	time relay generator filling	K7
5	1		3028.0102	contactor for hot air heating	K3
7	1		3028.0102	contactor steam generator heating	K4
8	1		3028.0101	contactor steam generator heating	K5
9	1		3031.0108	motor protector with auxiliary contact	F3
10	-		3031.0102	auxiliary contact for motor protector F3	
11	1		3028.0102	contactor for hot air heating	K2
12	1		3028.0150	auxiliary contact for contactor K2	
13	4		1208.0160	toothed lock washer A8,4	
14	4		1108.0260	hex nut M8	
15	1		3006.0101	buzzer	T1
16	2		3035.0508	RC-link	C1
17	2		4001.1203	end plate	


Electrical Installation

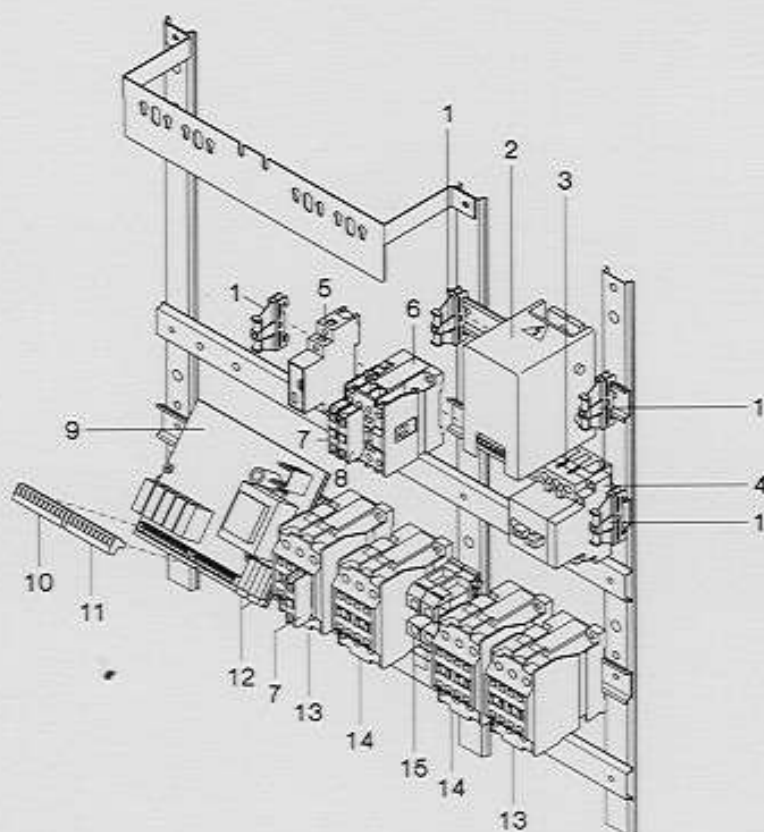
Component Group	Page	Edition	applicable from Serial No.
2	2.1	2.1.4	020 8910 4001



Pos.	Pcs.	Sp.	Part No.	Description	Sign
1	2		4001.1203	end plate	
2	2		4001.1209	terminal block 16mm ²	
3	1		3028.0100	motor contactor	K1
4	2		3028.0150	auxiliary contact for contactor K1, K2	
5	1		3028.0102	contactor for hot air heating	K2
6	1		3028.0102	contactor for hot air heating	K3
7	2		4001.1174	distance block	
8	1		3028.0101	contactor for steam generator heating	K5
9	1		3028.0102	contactor for steam generator heating	K4
10	1		3035.0514	RC-link	C1
11	1		3035.0509	RC-link for buzzer	C2
12	1		3006.0101	alarm buzzer	T1
13	4		1208.0160	toothed lock washer A8,4	
14	4		1108.0260	hex nut M8	

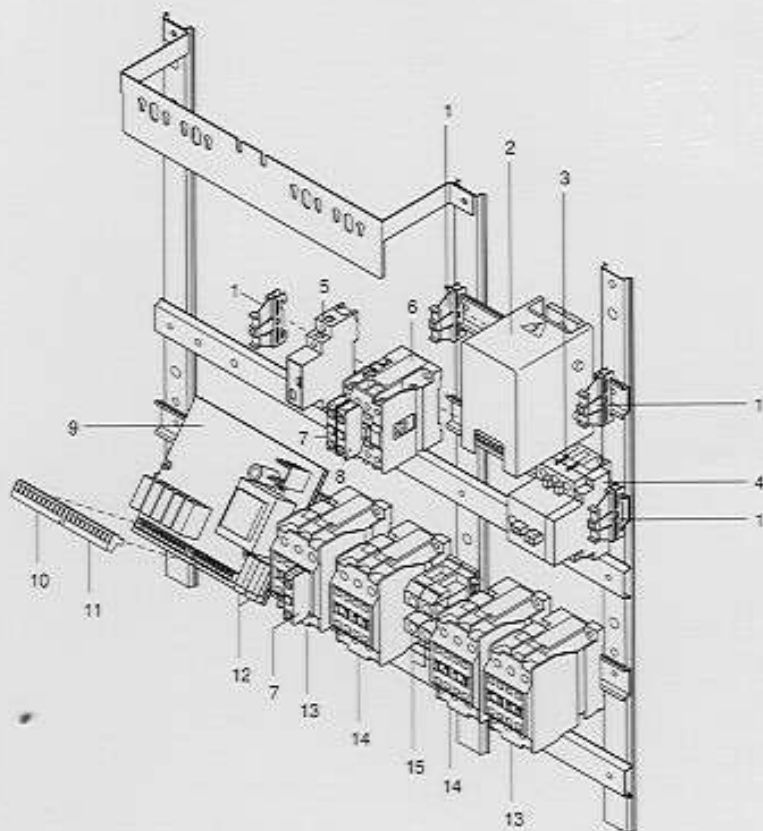
Electrical Installation

Voltage	Group	Page	Edition	Application from Serial. No.
3 N AC 380V 50Hz	2	2.1	2.1.5	02091042001

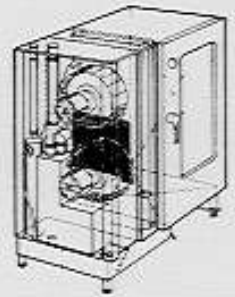


Pos.	Pcs.	Sp. Part No.	Description	Sign.
1	4	4001.1203	end plate	
2	1	3031.0201	motor brake	K6
-	2	3019.0300	fuse 10A	F12,F13
3	1	3031.0108	motor protector cpl.	F3
4	-	3031.0102	auxiliary contact for motor protector F3	
5	1	3035.0453	time relay 4sec.	K5
6	1	3028.0507	motor contactor	K2
7	2	3028.0156	auxiliary contact for K2/ K3	
8	1	3028.0153	auxiliary contact for K2	
9	1	3002.0400	level control pcb	A1
10	1	3040.0193	multipoint connector BL11	
11	1	3040.0192	multipoint connector BL10	
12	2	3019.0130	fuse 0,315A	F6,F7
13	2	3028.0512	contactor hot air	K3,K3.1
14	2	3028.0512	contactor steam generator	K4,K4.1
15	2	4001.1252	terminal block blue 35mm ²	

Elektromontageplatte	Spannung	Baugruppe	Ausgabe	gültig ab Seriennummer
Electrical installation	Voltage	Group	Edition	Applicable from Serial.No.
	3 N AC 400V 50Hz	2	2.1.6	02096011001

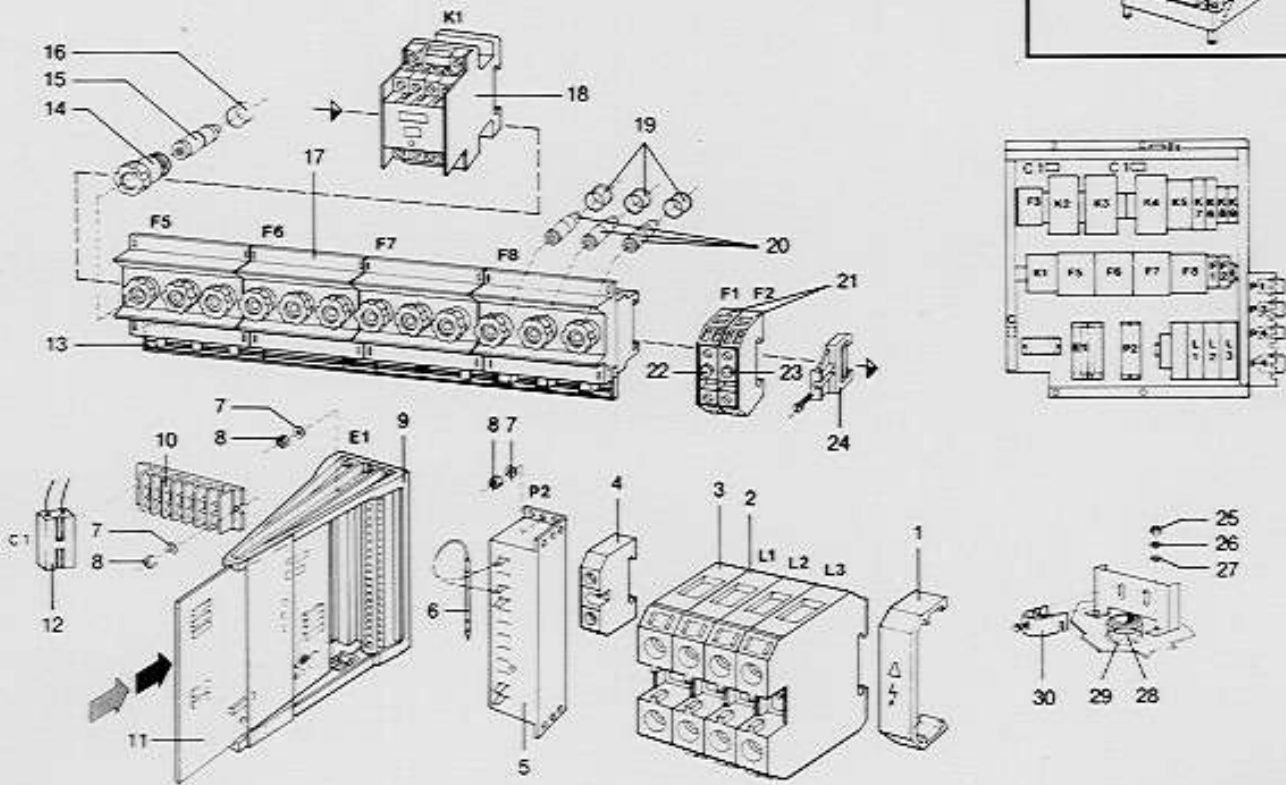


Pos.	St.	Ersatz.Nr.	Bezeichnung	Description
Pos.	Pcs.	Sp. Part No.		
1	4	4001.1203	Endklammer für Tragschiene	End plate for mounting rail
2	1	3031.0201	Elektronische Motorbremseinheit	Motor brake assy 380-415 V, 50/60Hz
-	2	3019.0300	Feinsicherung 5x20 10A	Fuse 10 A
3	1	3031.0108	Motorschutzschalter 2,5-4A, kpl.	Motor protector 2,5-4A, cpl.
4	-	3031.0102	Hilfskontakt NHi 10 für PKZ	Auxiliary contact for motor protector
5	1	3035.0453	Zeitrelais 0.06-160 sec. einschaltverzögert	Time-lag relay 0.06-160 sec. delay on
6	1	3028.0507	Schütz LS 4.01 200-240V 50/60Hz	Contactors LS 04.01 200-240V 50/60Hz
7	2	3028.0156	Hilfskontakt HS 17.01 Öffner	Auxiliary contact HS 17.01
8	1	3028.0153	Hilfskontakt HS 17.10 Schließer	Auxiliary contact switch HS 17.10
9	1	3002.0408	Regelplatine Wasserstand 220V 50/60Hz	Level control pcb for steam generator
10	2	3040.0193	Steckerleiste BL11 Platine Wasserstand	Multipoint connector BL11
11	1	3040.0192	Steckerleiste BL 10 Platine Wasserstand	Multipoint connector BL10
12	2	3019.0135	Feinsicherung 5x20 - 0,315A	Fuse 0.315A
13	1	3028.0512	Schütz LS 37.00 200-240V 50/60Hz	Contactors LS 37.00 200-240V 50/60Hz
14	2	3028.0512	Schütz LS 37.00 200-240V 50/60Hz	Contactors LS 37.00 200-240V 50/60Hz
15	2	4001.1252	Reihen клемme 35qmm blau	Terminal block, blue 35 qmm



Electrical Installation

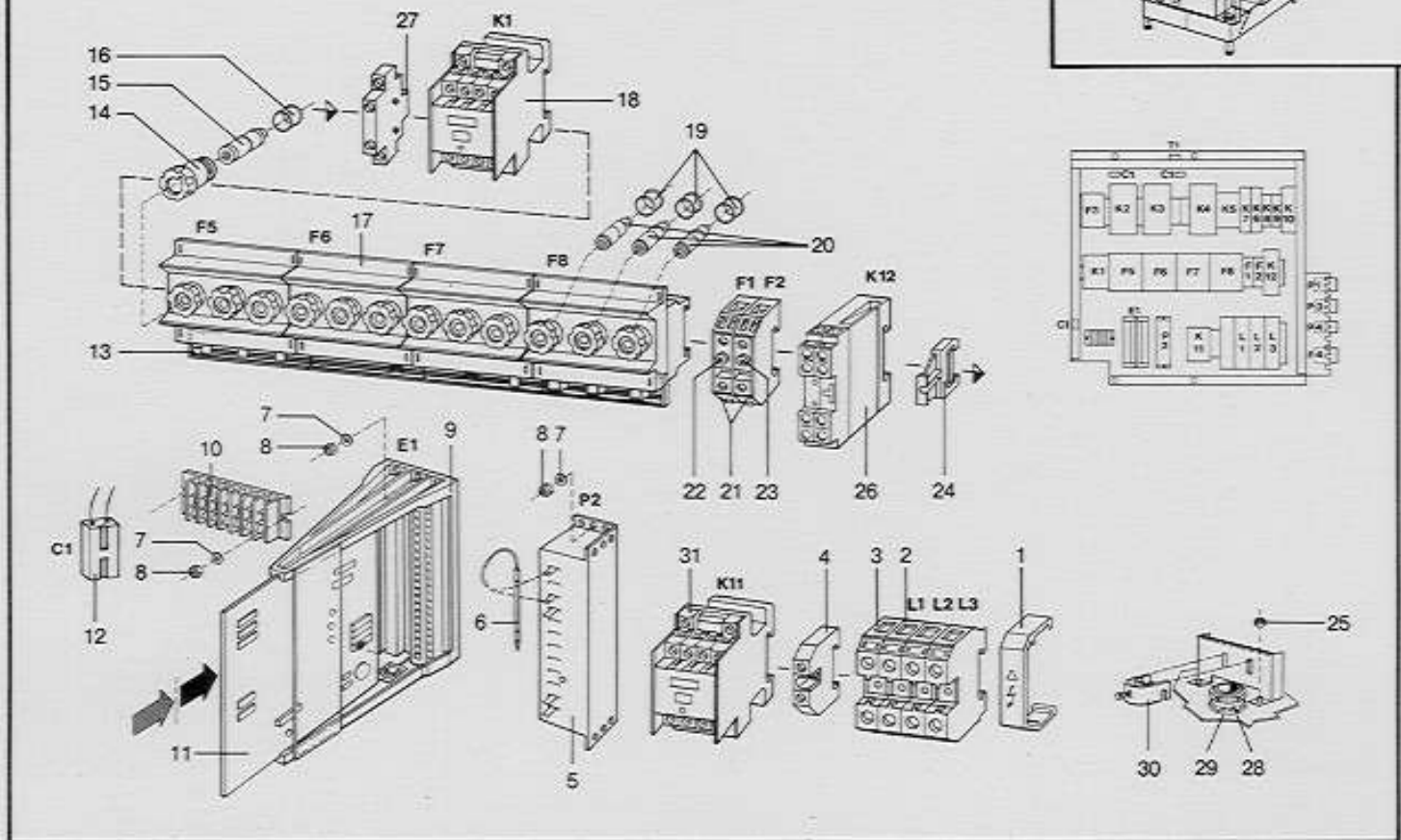
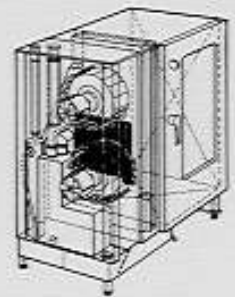
Component Group	Page	Edition	applicable from Serial No.
2	2.2	2.2.1	020 86 011011



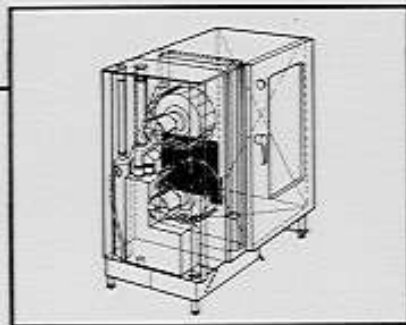
Pos.	Pcs.	Sp.	Part No.	Description	Sign	Pos.	Pcs.	Sp.	Part No.	Description	Sign
1	4		4001.1231	cover		30	1		4006.0410	tension release	
2	3		4001.1229	terminal block grey 70 mm ²							
3	1		4001.1253	terminal block blue 70 mm ²							
4	1		4001.1233	ground terminal block yellow/green 35 mm ²							
5	1		3014.0110	solid state steam controller P2							
6	1		3014.0120	sensor for steam controller P2							
7	4		1304.0150	washer A 3,2							
8	4		1103.0120	hex nut M3							
9	1		3035.0603	PCB-holder							
10	1		4001.1175	multi connector							
11	1		3035.0601	PC-board							
12	1		3035.0508	RC-link	C1						
13	1		4001.1211	multiple rail block 250 mm long							
14	12		4001.1235	screw cap							
15	9		3019.0404	fuse 50 A							
16	9		4001.1241	insert 50 A							
17	4		4001.1234	fuse holder block							
18	1		3028.0100	motor contactor	K1						
19	3		4001.1240	insert 35 A							
20	3		3019.0403	fuse 35 A							
21	2		4001.1228	fuse holder	F1, F2						
22	1		3019.0200	fuse 6,3 A							
23	1		3019.0400	fuse 0,5 A							
24	1		4001.1201	endplate							
25	2		1106.0160	hex nut M6							
26	2		1206.0120	toothed lock washer A 6,4							
27	2		1306.0221	washer A 6,4							
28	1		4007.0602	cable connection PG 36							
29	1		4007.0603	lock nut PG 36							

Electrical Installation

Component Group	Page	Edition	applicable from Serial No.
2	2.2	2.2.2	020 88 061072

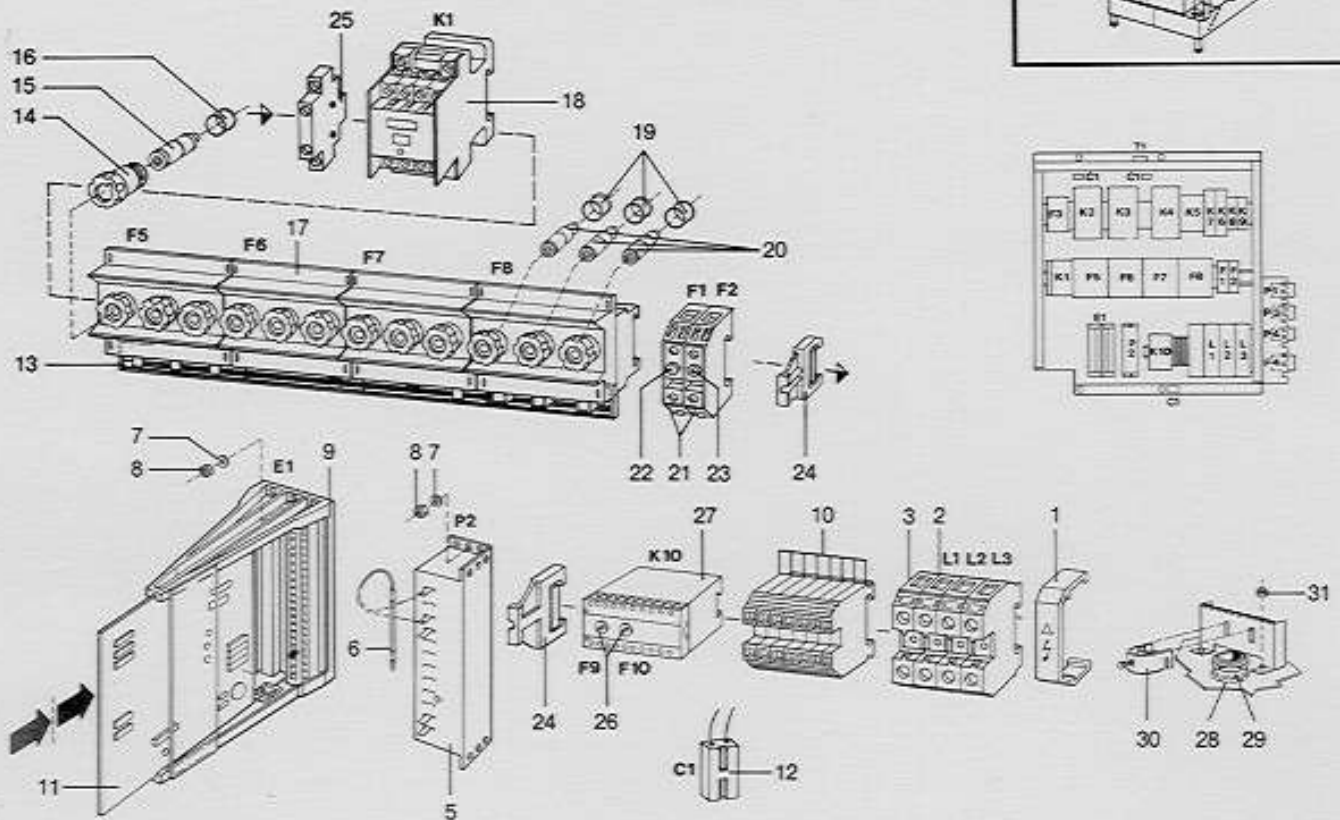


Pos.	Pcs.	Sp. Part No.	Description	Sign	Pos.	Pcs.	Sp. Part No.	Description	Sign
1	4	4001.1231	cover		29	1	4007.0603	lock nut PG36	
2	3	4001.1229	terminal block grey 70 mm ²		30	1	4006.0410	tension release	
3	1	4001.1253	terminal block blue 70 mm ²		31	1	3028.0103	contactor for motor brake	K11
4	1	4001.1233	ground terminal block yellow/green 35 mm ²						
5	1	3014.0113	solid state steam controller P2						
6	1	3014.0152	sensor for bypass P2						
7	6	1304.0150	washer A3,2						
8	6	1103.0120	hex nut M3						
9	1	3035.0603	PCB-holder						
10	1	4001.1175	multi connector						
11	1	3035.0601	PC-board						
12	1	3035.0508	RC-link	C1					
13	1	4001.1211	multiple rail block 250 mm long						
14	12	4001.1235	screw cap						
15	9	3019.0404	fuse 50 A						
16	9	4001.1241	insert 50 A						
17	4	4001.1234	fuse holder block						
18	1	3028.0100	motor contactor	K1					
19	3	4001.1240	insert 35 A						
20	3	3019.0403	fuse 35 A						
21	2	4001.1228	fuse holder	F1,F2					
22	1	3019.0200	fuse 6,3 A						
23	1	3019.0400	fuse 0,5 A						
24	1	4001.1203	endplate						
25	2	1106.0801	hex combi nut M6						
26	1	3035.0404	time relay 1 sec.	K12					
27	1	3028.0150	auxiliary contact for contactor K1						
28	1	4007.0602	cable connection PG36						

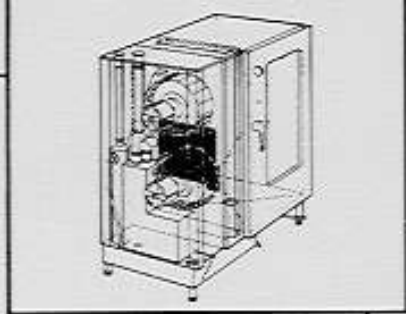


Electrical Installation

Component Group	Page	Edition	applicable from Serial No.
2	2.2	2.2.3	020 89 04 1042

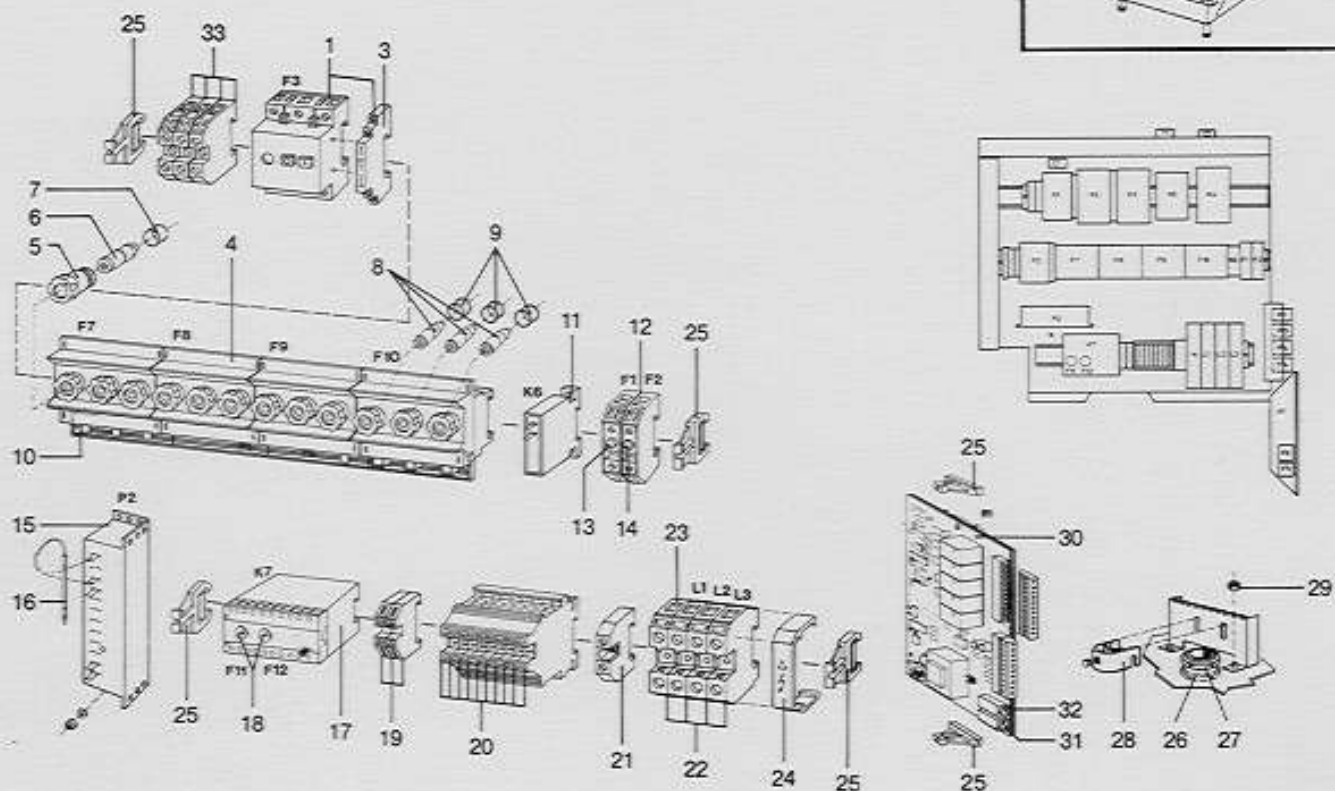


Pos.	Pcs.	Sp.	Part No.	Description	Sign	Pos.	Pcs.	Sp.	Part No.	Description	Sign
1	4		4001.1231	cover		29	1		4007.0603	lock nut PG36	
2	3		4001.1229	terminal block grey 70 mm ²		30	1		4006.0410	tension release	
3	1		4001.1253	terminal block blue 70 mm ²		31	2		1106.0801	hex combi nut M6	
4	1		4001.1233	ground terminal block yellow/green 35 mm ²							
5	1		3014.0113	solid state steam controller P2							
6	1		3014.0152	sensor for bypass P2							
7	6		1304.0150	washer A3,2							
8	6		1103.0120	hex nut M3							
9	1		3035.0603	PCB-holder							
10	7		4001.1176	terminal block							
11	1		3035.0601	PC-board							
12	1		3035.0508	RC-link	C1						
13	1		4001.1211	multiple rail block 250 mm long							
14	12		4001.1235	screw cap							
15	9		3019.0404	fuse 50 A							
16	9		4001.1241	insert 50 A							
17	4		4001.1234	fuse holder block							
18	1		3028.0100	motor contactor	K1						
19	3		4001.1240	insert 35 A							
20	3		3019.0403	fuse 35 A							
21	2		4001.1228	fuse holder	F1,F2						
22	1		3019.0200	fuse 6,3 A							
23	1		3019.0400	fuse 0,5 A							
24	1		4001.1203	endplate							
25	1		3028.0150	auxiliary contact for contactor K1							
26	2		3019.0300	fuse 10 A	F9,F10						
27	1		3031.0201	electronic motor brake	K10						
28	1		4007.0602	cable connection PG36							



Electrical Installation

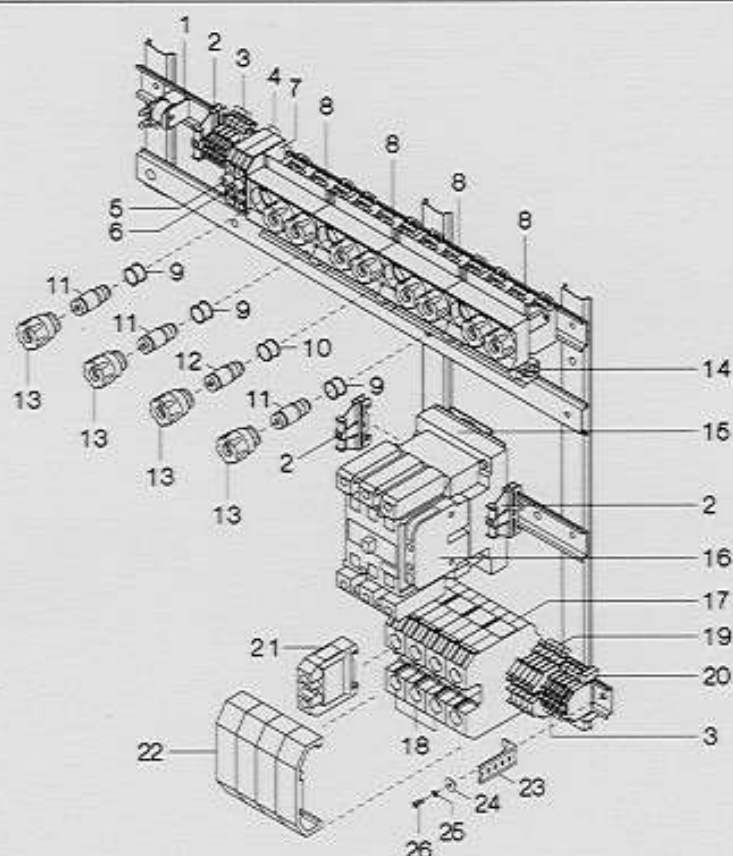
Component Group	Page	Edition	applicable from Serial No.
2	2.2	2.2.4	020 89 10 4001



Pos.	Pcs.	Sp.	Part No.	Description	Sign	Pos.	Pcs.	Sp.	Part No.	Description	Sign
1	1		3031.0108	motor contactor with auxiliary contact	F3	28	1		4006.0410	tension release	
3	-		3031.0102	auxiliary contact for motor contactor F3		29	2		1106.0801	hex-combi-nut M6	
4	4		4001.1234	fuse holder block	F7- F10	30	1		3002.0400	level control pcb	A1
5	12		4001.1235	screw cap		31	1		3019.0130	fuse 0.315 A	F5
6	9		3019.0404	fuse 50 A	F7-F9	32	1		3019.0110	fuse 0,1 A	F6
7	9		4001.1241	insert 50 A		33	3		4001.1209	terminal block grey 16 mm ²	
8	3		3019.0403	fuse 35 A	F10						
9	3		4001.1240	insert 35 A							
10	1		4001.1211	multiple rail block							
11	1		3035.0404	time relay 1 sec. start delay	K6						
12	2		4001.1228	fuse holder	F1,F2						
13	1		3019.0200	fuse 6,3 A	F1						
14	1		3019.0400	fuse 0,5 A	F2						
15	1		3014.0113	solid state steam controller	P2						
16	1		3014.0152	sensor for bypass							
17	1		3031.0201	electronic motor brake	K7						
18	2		3039.0300	fuse 10A	F11, F12						
19	2		4001.1216	terminal block 4 mm ²							
20	9		4001.1176	terminal block							
21	1		4001.1233	terminal block yellow/green 35 mm ²							
22	3		4001.1229	terminal block grey 70 mm ²							
23	1		4001.1253	terminal block blue 70 mm ²							
24	4		4001.1231	cover							
25	4		4001.1203	end plate							
26	1		4007.0602	cable connection PG36							
27	1		4007.0603	lock nut PG36							

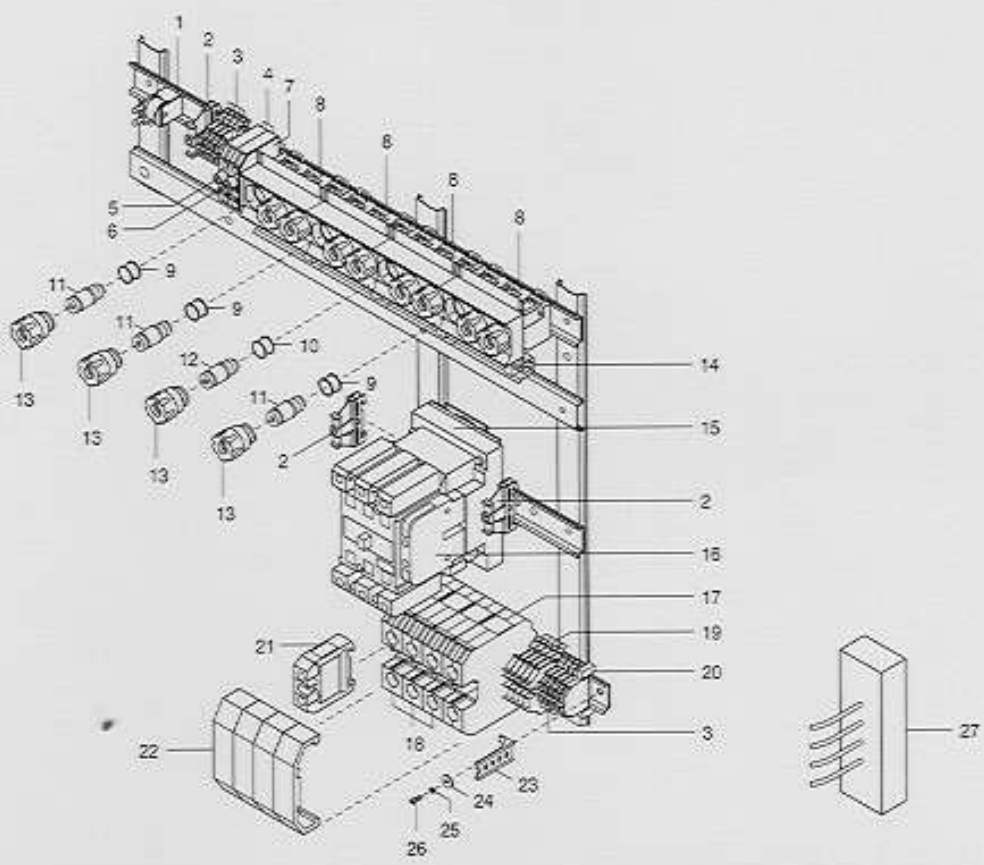
Electrical Installation

Voltage	Group	Page	Edition	Application from Serial. No.
3 N AC 380V 50Hz	2	2.2	2.2.5	02091042001

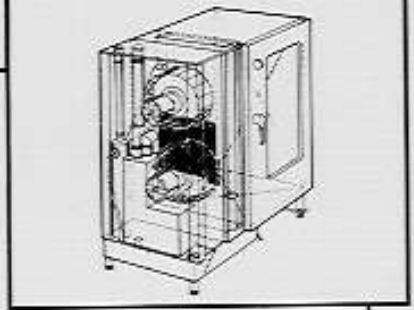


Pos.	Pcs.	Sp. Part No.	Description	Sign.
1	1	3006.0101	alarm buzzer	T1
2	3	4001.1203	end plate	
3	8	4001.1216	terminal block 4mm ² grey	
4	2	4001.1228	fuse holder	F1,F2
5	1	3019.0200	fuse 6,3A	F1
6	1	3019.0400	fuse 0,5A	F2
7	1	4001.1227	cover for fuse holder	
8	4	4001.1234	fuse holder block	F8-F11
9	9	4001.1241	insert 50A	
10	3	4001.1240	insert 35A	
11	9	3019.0404	fuse 50A	F8-F10
12	3	3019.0403	fuse 35A	F11
13	12	4001.1235	screw cap	
14	1	4001.1211	multiple rail block	
15	1	3028.0515	main contactor	K1
16	1	3028.0520	auxiliary contact for contactor K1	
17	1	4001.1253	terminal block 70mm ² blue	
18	1	4001.1229	terminal block 70mm ² grey	
19	5	4001.1176	plug-in termination	
20	1	4001.1222	terminal block 4mm ² yellow/ green	
21	1	4001.1233	terminal block 35mm ² yellow/ green	
22	4	4001.1231	cover for terminal block 70mm ²	
23	1	2020.0400	cable assy holder	
24	1	1304.0160	washer A4,3	
25	1	1203.0120	toothed lock washer A4,3	
26	1	1004.0660	hex socket head screw M4x10	

Elektromontageplatte	Spannung	Baugruppe	Ausgabe	gültig ab Seriennummer
Electrical installation	Voltage	Group	Edition	Applicable from Serial.No.
	3 N AC 400V 50Hz	2	2.2.6	02096011001

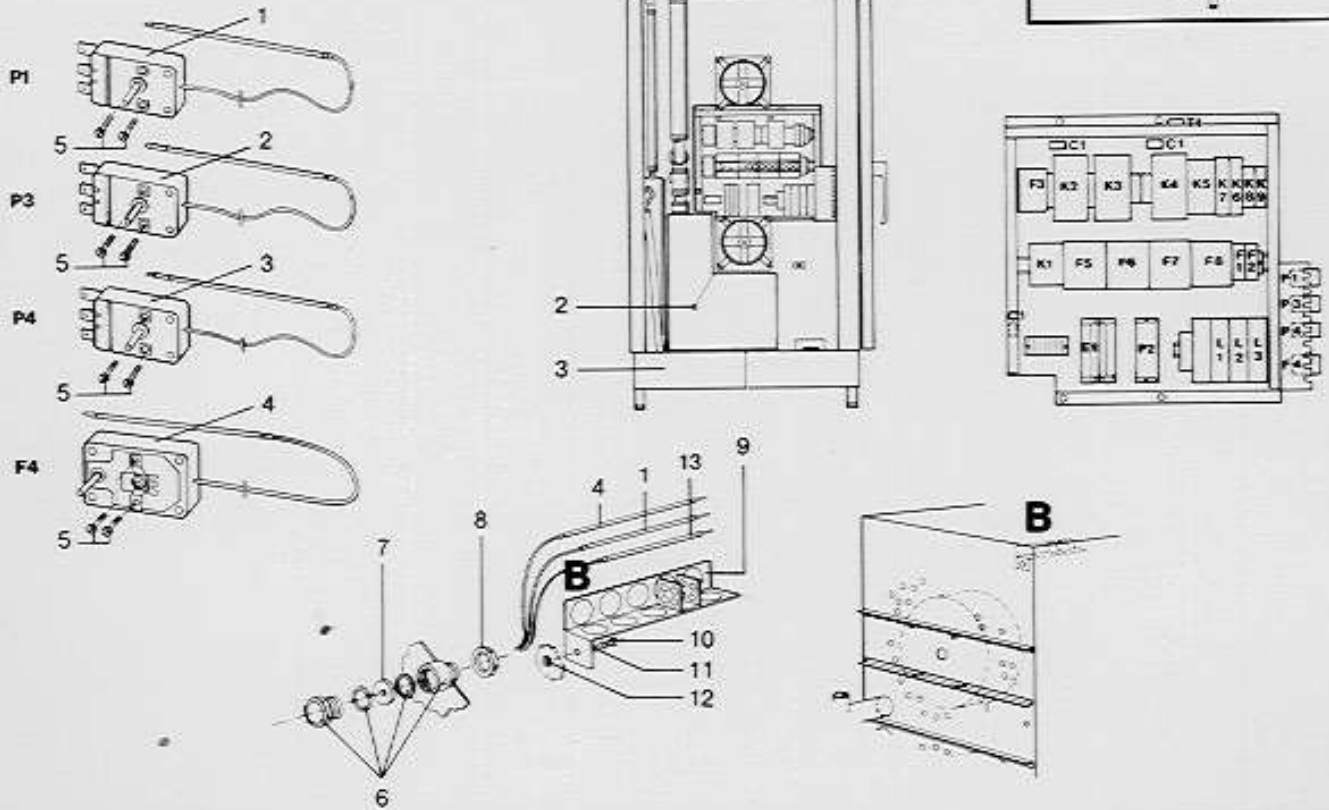


Pos.	St.	Ersatz.Nr.	Bezeichnung	Description
Pos.	Pcs.	Sp. Part No.		
1	1	3006.0101	Alarmsummer, 230 V	Buzzer, 230 V
2	3	4001.1203	Endklammer für Tragschiene	End plate for mounting rail
3	8	4001.1216	Reihen клемme 4qmm grau	Terminal 4sqmm grey
4	2	4001.1228	Reihen-Sicherungsklemme	Fuse holder terminal block
5	1	3019.0200	Feinsicherung 5x20 6,3A	Fuse 6,3A
6	1	3019.0400	Feinsicherung 5x20 0,5A	Fuse 0,5A
7	1	4001.1227	Endplatte für Reihen-Sicherungsklemme	End plate for fuse holder
8	4	4001.1234	Einbausicherungssockel 3Ph63A, Typ NEOZED	Fuse holder block 3-pol type neozed 63 A
9	9	4001.1241	Paßeinsatz 50A	Insert adapter 50A for NEOZED fuse
10	3	4001.1240	Paßeinsatz 35A	Insert adapter 35A for NEOZED fuse
11	9	3019.0404	Sicherung Neozed 50A	Fuse neozed 50A
12	3	3019.0403	Sicherung Neozed 35A	Fuse neozed 35A
13	12	4001.1235	Schraubkappe Neozed 63 A	Screw cap type neozed 63 A
14	1	4001.1211	Sammelschienenblock für Sicherungen 250 mm	Three phase bus bar for neozed fuse
15	1	3028.0515	Schütz LS 57.00 200-240V 50Hz	Contactur LS 57.00 200-240V 50Hz
16	1	3028.0520	Hilfskontakt HS 107 für Schütz LS 47 - LS 57	Auxiliary contact switch HS 17.01
17	1	4001.1253	Reihen клемme 70qmm blau	Terminal block, blue 70 qmm
18	3	4001.1229	Reihen клемme 70qmm grau	Terminal block 70qmm
19	5	4001.1176	Reihenverteiler	Terminal block plug type
20	1	4001.1222	Erdungsklemme 4qmm	Terminal block yellow/green 4 qmm
21	1	4001.1233	Erdungsklemmen 35qmm gelb-grün	Terminal block yellow/green 35qmm
22	4	4001.1231	Warnabdeckung für Reihen клемme 70qmm	Cover for terminal block 70qmm
23	1	2020.0400	Kabelstammhalter kurz	Cable assy holder short
24	1	1304.0160	Unterlegscheibe A4,3 DIN125	Washer A4,3 DIN125
25	1	1203.0120	Zahnscheibe A4,3	Toothhead lock washer A4,3
26	1	1004.0660	Zylinderschraube mit Innensechskant M4x10	Hex socket head screw M4x10
27	1	3001.0452	Entstörfilter	Electronic noise filter



Electrical Installation

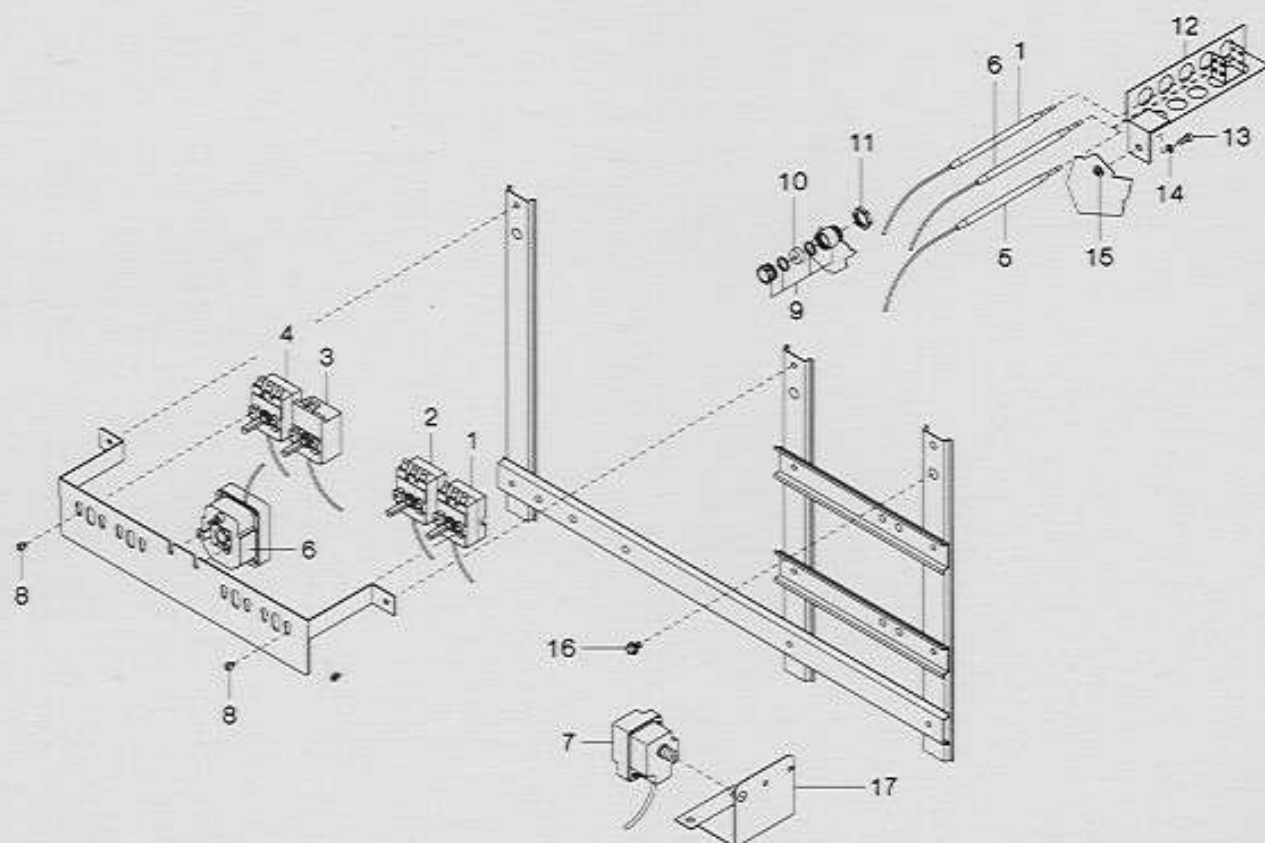
Component Group	Page	Edition	applicable from Serial No.
2	2.3	2.3.1	020 86 011011



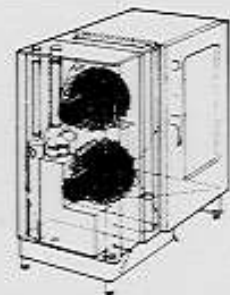
Pos.	Pcs.	Sp. Part No.	Description	Sign
1	1	3014.0311	thermostat "unit too hot"	P1
2	1	3014.0314	thermostat steam generator	P3
3	1	3014.0312	thermostat quenching system	P4
4	1	3014.0310	bi-limit safety thermostat	F4
5	8	1004.0060	slotted pan head screw M 4x4	
6	1	4007.0600	cable connection PG9	
7	1	2022.0100	gasket	
8	1	4007.0601	lock nut for cable connection	
9	1	8430.7002	holder for thermostat complete	
10	1	1004.0660	hex socket head cap screw M 4x10	
11	1	1204.0120	toothed lock washer A 4,3	
12	1	1104.0400	rivet nut M4	
13	1	3014.0318	thermostat hot air heating	P5

Electrical Installation

Voltage	Group	Page	Edition	Application from Serial. No.
3 N AC 380V 50Hz	2	2.3	2.3.2	02091042001

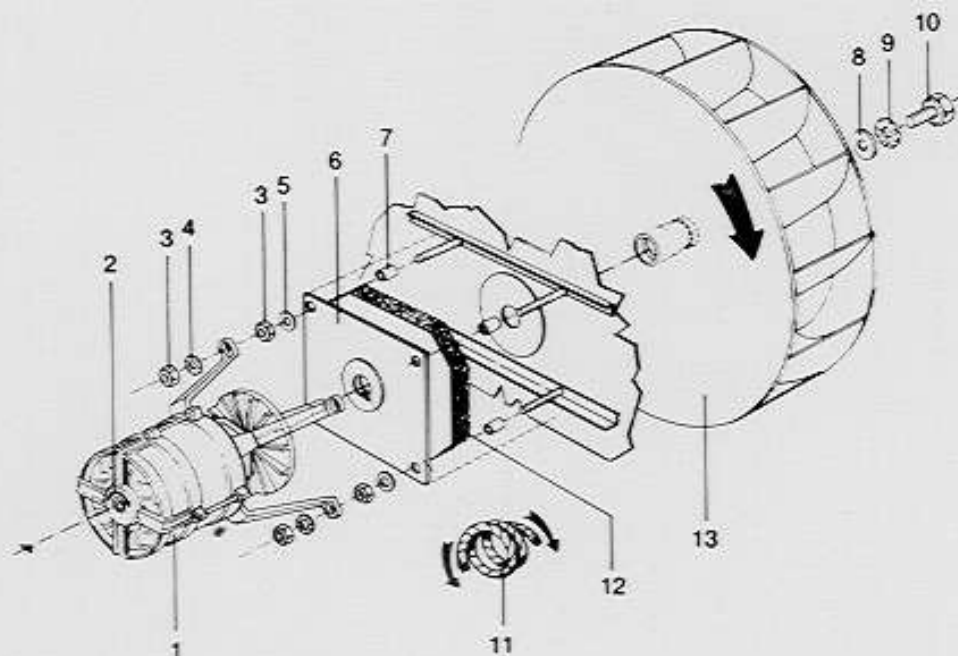


Pos.	Pcs.	Sp.	Part No.	Description	Sign.
1	1		3014.0311	thermostat unit too hot	P1
2	1		3014.0314	thermostat preheating steam generator	P3
3	1		3014.0155	thermostat bypass	P2
4	1		3014.0312	thermostat	P4
5	1		3014.0318	quenching system	P5
6	1		3014.0310	thermostat hot air heating	F4
7	1		3014.0300	bi-limit safety thermostat	F5
8	10		1004.0060	dry up protector	
9	1		4007.0600	slotted pan head screw M4x4	
10	1		2022.0100	cable connection PG9	
11	1		4007.0601	gasket	
12	1		4007.0601	lock nut PG9	
13	1		8430.7002	holder for thermostat cpl.	
14	1		1004.0660	hex socket head screw M4x10	
15	1		1204.0120	toothed lock washer A4,3	
16	1		1104.0400	rivet nut M4	
17	8		1005.2000	safety screw M5x8	
18	1		2520.311089	holding angle	

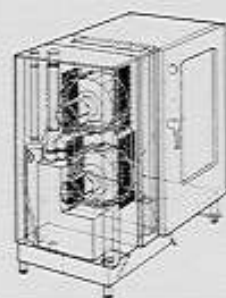


Motor and Fan Wheel

Component Group	Page	Edition	applicable from Serial No.
6	6.1	6.1.1	020 86 011011

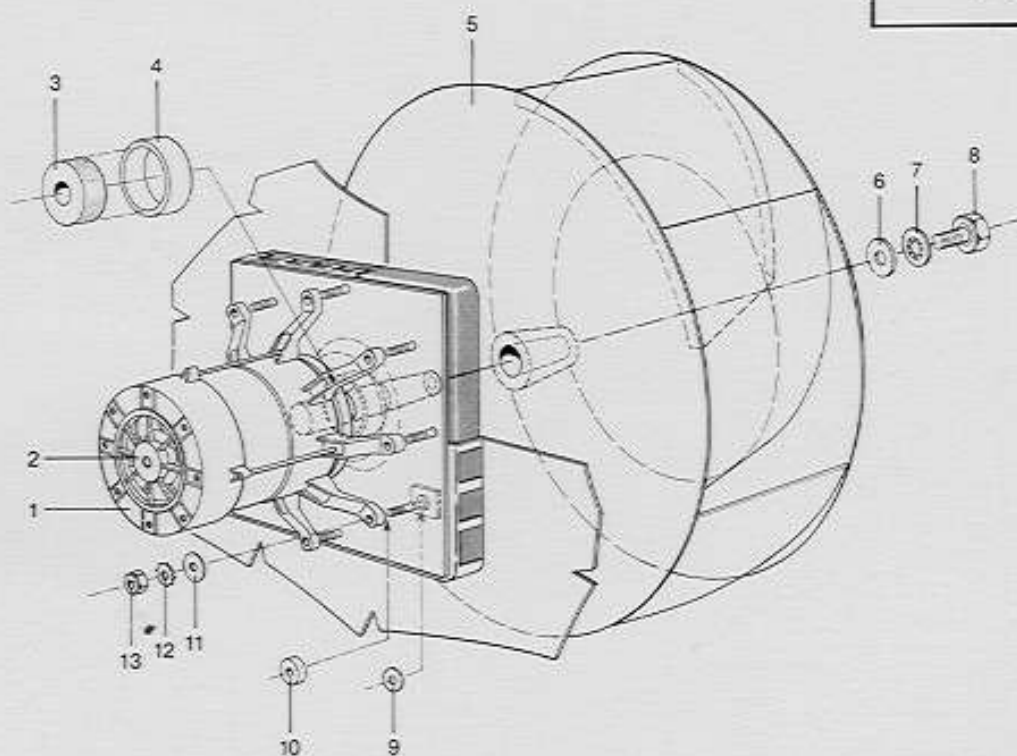


Pos.	Pcs.	Sp. Part No.	Description	Sign
1	2	3001.0400	motor	
2	2	4019.0012	label direction of fan rotation	
3	16	1108.0260	hex nut M8	
4	16	1208.0160	toothed lock washer A 8,4	
5	8	1308.0561	washer \varnothing 9 mm	
6	2	8006.8008	motor shaft packing complete	
7	8	2016.0848	spacer	
8	2	1310.0160	washer A 10,5	
9	2	1210.0160	toothed lock washer A 10,5	
10	2	1010.0760	hex screw M 10x16	
11	2	5002.0300	rope packing, greased	
12	2	5009.0100	insulation plate 200x205x20 mm	
13	2	2012.0500	fan wheel complete (with pos. 8-10)	



Motor and Fan Wheel

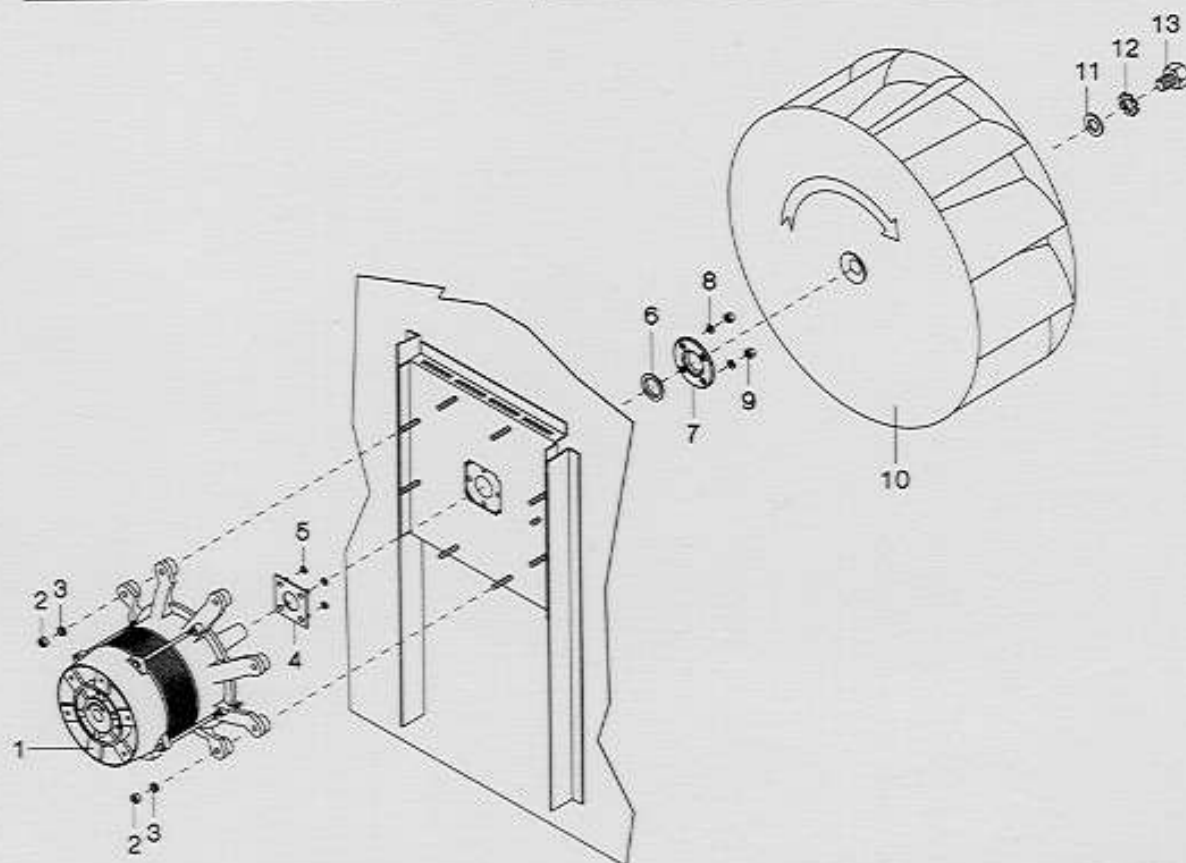
Component Group	Page	Edition	applicable from Serial No.
6	6.1	6.1.2	020 88 06 1072



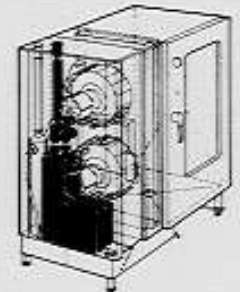
Pos.	Pcs.	Sp. Part No.	Description	Sign
1	2	3001.0419	motor	from 02089021018: 3001.0405
2	2	4019.0012	label direction of fan rotation	
3	2	2016.0856	teflon socket	from 02089021018: 2016.0852
4	2	2016.0853	holding ring	
5	2	2012.0510	fan wheel complete (with pos. 6-8)	
6	2	1308.0123	washer A17	
7	2	1217.0159	toothed lock washer I16,5	
8	2	1016.0700	hex screw M 16x20	
9	16	1308.0561	washer 9 mm	
10	16	2016.0855	spacer	
11	16	1306.0221	washer A6,4	
12	16	1206.0120	toothed lock washer A6,4	
13	16	1106.0160	hex nut M6	

Motor and Fan Wheel

Voltage	Group	Page	Edition	Application from Serial. No.
3 N AC 380V 50Hz	6	6.1	6.1.3	02091042001

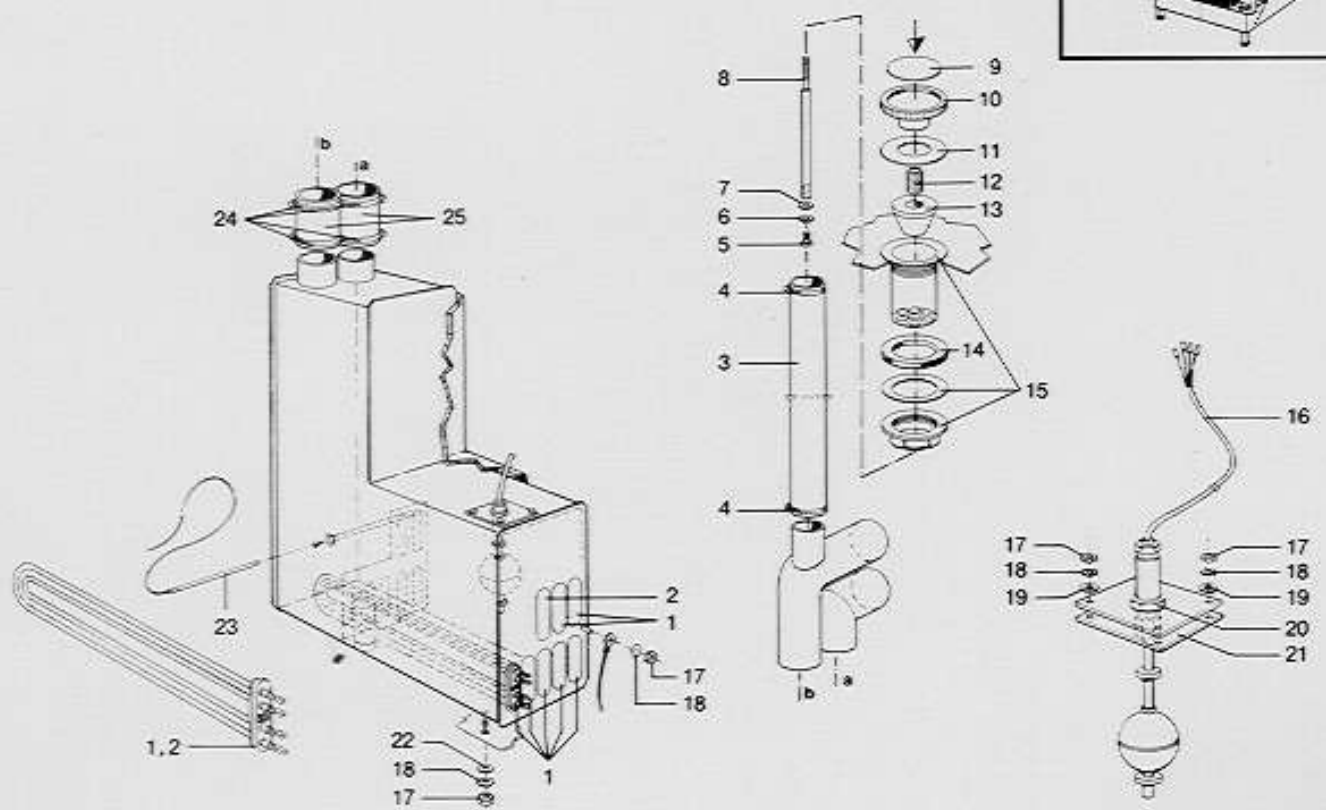


Pos.	Pcs.	Sp. Part No.	Description	Sign.
1	2	3001.0428	motor	M1,M1.1
2	16	1106.0160	hex nut M6	
3	16	1206.0120	toothed lock washer A6,4	
4	2	8506.0103	holder plate	
5	8	1315.0101	copper washer	
6	2	5001.0211	motor gasket	
7	2	2016.0875	gasket flange	
8	8	1306.0120	washer A6,4	
9	8	1106.0220	hex nut M6 flat	
10	2	2012.0510	fan wheel	
11	2	1308.0123	washer A17	
12	2	1217.0160	toothed lock washer A16,5	
13	2	1016.0700	hex screw M16x20	

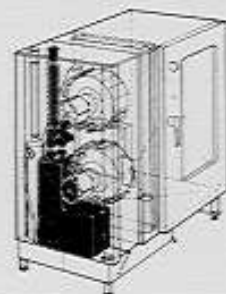


Steam Generator

Component Group	Page	Edition	applicable from Serial No.
4	4.1	4.1.1	020 86 011011

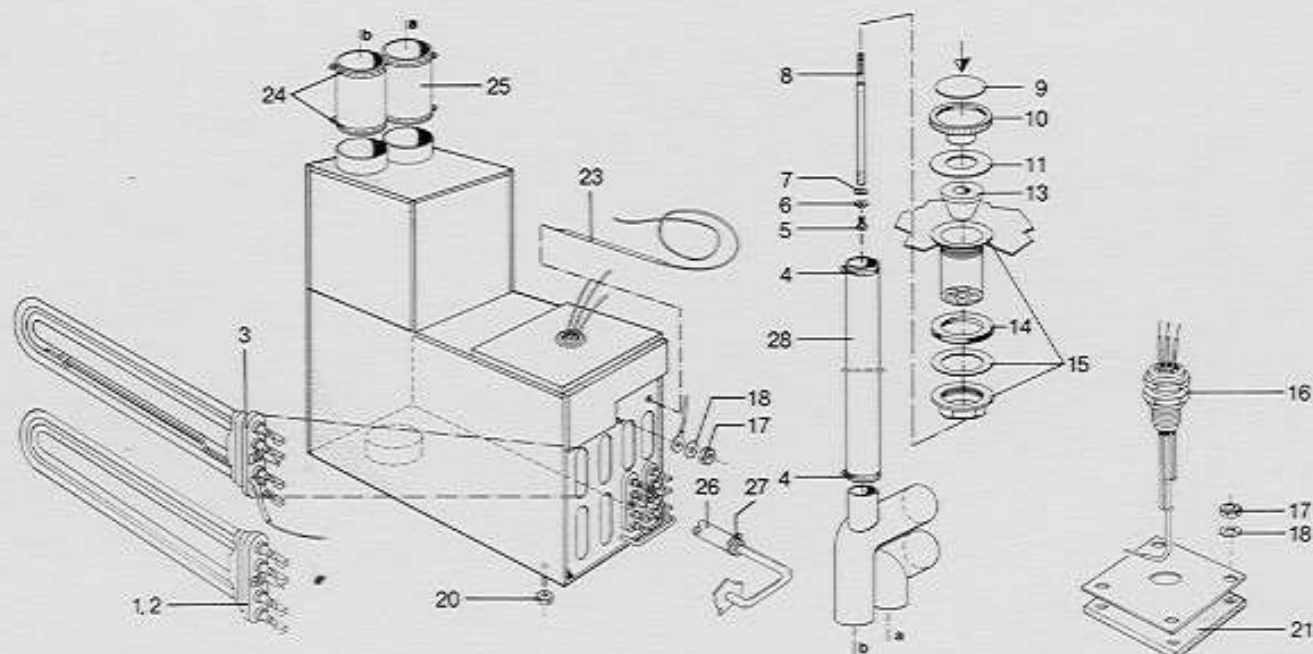


Pos.	Pcs.	Sp.	Part No.	Description	Sign
-	1		8300.0006	steam generator complete	
-	1		8450.0200	safety valve complete (pos. 5 - 15)	
1	7		3004.3505	heating element 2x3 kW	
2	1		3004.3506	heating element 2x1,5 kW	
3	1		2067.0205	steam hose 600 mm long ø 42	
4	2		2066.0504	hose clamp 40-60 mm	
5	1		1005.0660	hex socket head screw M 5x12	
6	1		1205.0360	spring washer	
7	1		1305.0260	washer A 5,3	
8	1		2026.0400	guide bar	
9	1		2049.0800	cover plate aluminium	
10	1		2020.0300	plastic handle for safety valve	
11	1		5012.0526	gasket	
12	1		2026.0300	thread insert	
13	1		2026.0200	cone for safety valve	
14	1		5012.0527	gasket	
15	1		2064.0101	valve body	
16	1		3016.1201	level switch	S4
17	6		1106.0160	hex nut M6	
18	6		1206.0120	toothed lock washer A 6,4	
19	4		1306.0120	washer A 6,4	
20	1		2040.0101	hex nut G 3/8"	
21	1		5012.0528	gasket	
22	1		1306.0221	washer A 6,4	
23	1		3014.0314	thermostat	P3
24	4		2066.0505	hose clamp 70-90 mm	
25	2		2067.0401	steam hose 95 mm long	



Steam Generator

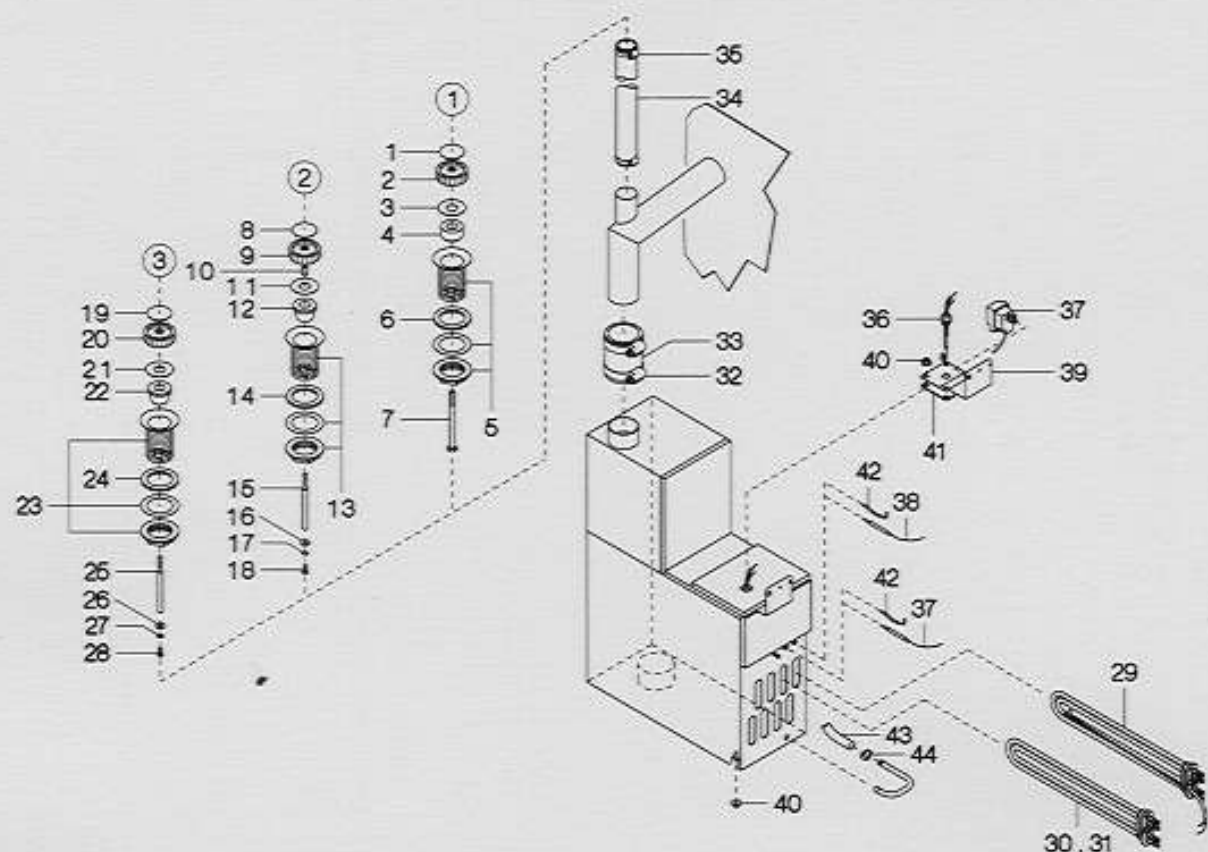
Component Group	Page	Edition	applicable from Serial No.
4	4.1	4.1.2	020 89 10 4001



Pos.	Pcs.	Sp. Part No.	Description	Sign
-	1	8300.0073	steam generator complete	
-	1	8450.0200	safety valve complete (pos. 5 - 15)	
1	7	3004.3505	heating element 2x3 KW	
2	1	3004.3506	heating element 2x1,5 KW	
3	1	3004.3516	heating element 2x3 KW with thermocouple	
4	2	2066.0504	hose clamp 40 - 60 mm	
5	1	1005.0660	hex socket head cap screw M 5x12	
6	1	1205.0360	spring washer	
7	1	1305.0260	washer A5,3	
8	1	2026.0400	guide bar	
9	1	2049.0800	cover plate, aluminium	
10	1	2020.0300	plastic handle for safety valve	
11	1	5012.0526	gasket	
13	1	2026.0200	cone for safety valve	
14	1	5012.0527	gasket	
15	1	2064.0101	valve body	
16	1	3002.0402	filling-level electrode 90 mm	
17	5	1106.0160	hex nut M6	
18	5	1206.0120	toothed lock washer A6,4	
20	1	1106.0801	hex-combi-nut M6	
21	1	5012.0537	gasket	
23	1	3014.0314	sensor steam generator	P3
24	4	2066.0505	hose clamp 70 - 90 mm	
25	2	2067.0401	steam hose 95 mm long	
26	1	2067.0128	pressure hose	
27	1	2066.0202	hose clamp	
28	1	2067.0205	steam hose 580 mm long	

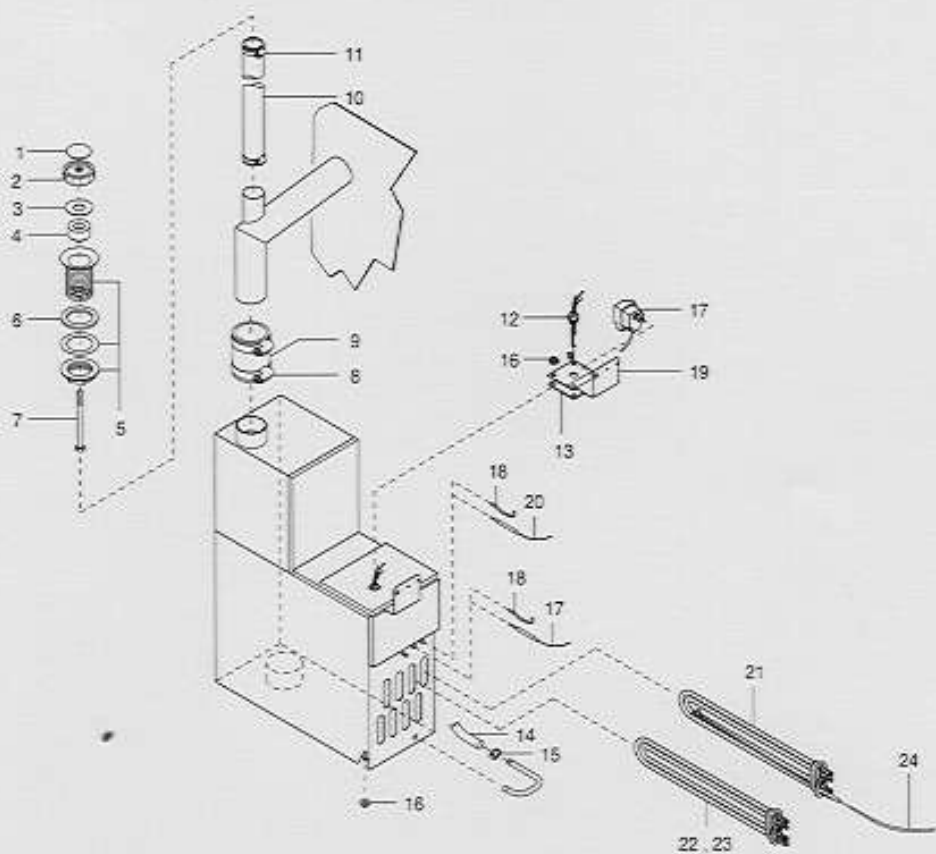
Steam Generator

Voltage	Group	Page	Edition	Application from Serial. No.
3 N AC 380V 50Hz	4	4.1	4.1.3	02091042001



Pos.	Pcs.	Sp. Part No.	Description	Sign.	Pos.	Pcs.	Sp. Part No.	Description	Sign.
-	1	8450.0200	safety valve cpl. (version 1)		-	1	8300.0202	steam generator cpl.	
version 1					29	1	3004.4307	heating element 2x3kW thermocouple	
1	1	2049.0800	cover plate, aluminium		30	6	3004.4305	heating element 2x3kW	
2	1	2020.0301	plastic handle		31	1	3004.4306	heating element 2x1,5kW	
3	1	5012.0526	gasket		32	2	2066.0505	hose clamp 70-90mm	
4	1	2026.0201	cone		33	1	2067.0401	steam hose 95mm long	
5	1	5012.0527	gasket		34	1	2067.0205	steam hose 580mm long	
6	1	2064.0100	valve body		35	2	2066.0504	hose clamp 40-60mm	
7	1	1008.0764	hex screw M8x110		36	1	3002.0402	filling-level electrode 90mm	S4
version 2					37	1	3014.0300	dry up protector	F5
8	1	2049.0800	cover plate, aluminium		38	1	3014.0314	thermostat steam generator	P3
9	1	2020.0301	plastic handle		39	1	2520.311089	holding angle	
10	1	2026.0301	plastic insert		40	5	1106.0801	hex-combi-nut M6	
11	1	5012.0526	gasket		41	1	5012.0537	gasket	
12	1	2026.0201	cone		42	2	2544.101230	clamping plate	
13	1	5012.0527	gasket		43	1	2067.0128	pressure hose 420mm long	
14	1	2064.0100	valve body		44	1	2062.0205	hose clamp 12-18mm	
15	1	2026.0400	guide bar						
16	1	1305.0260	washer A5,3						
17	1	1205.0360	spring washer A5,3						
18	1	1005.0660	hex socket head screw M5x12						
version 3									
19	1	2049.0800	cover plate, aluminium						
20	1	2020.0300	plastic handle						
21	1	5012.0526	gasket						
22	1	2026.0201	cone						
23	1	5012.0527	gasket						
24	1	2064.0100	valve body						
25	1	2026.0400	guide bar						
26	1	1305.0260	washer A5,3						
27	1	1205.0360	spring washer A5,3						
28	1	1005.0660	hex socket head screw						

Dampfgenerator Steam generator	Spannung Voltage	Baugruppe Group	Ausgabe Edition	gültig ab Seriennummer Applicable from Serial.No.
	3 N AC 400V 50Hz	4	4.1.4	02096011001



Pos.	St.	Ersatz.Nr.	Bezeichnung	Description
Pos.	Pcs.	Sp. Part No.		
-	1	8300.0202	SC-Dampfgenerator kpl.230V	SC-steam generator cpl. 230V
-	1	8450.0200	Sicherheitsventil komplett Typ 201/20	Safety valve for type 201/20
1	1	2049.0800	Alu-Deckschild für Sicherheitsventil	Cover plate aluminum for safety valve
2	1	2020.0301	Griffscheibe Sicherheitsventil	Plastic-handle for safety-valve
3	1	5012.0526	Dichtung für Sicherheitsventil	Gasket for safety valve
4	1	2026.0201	Verschlußkegel Sicherheitsventil	Cone for safety valve
5	1	2064.0101	Einfüllstutzen Typ 201/20	Safety valve housing type 201/20
6	1	5012.0527	Dichtung für Sicherheitsventilgehäuse	Gasket for safety valve housing
7	1	1008.0764	Sechskantschraube M8x110 f.Griffscheibe	Hex screw M8x110 for safety valve
8	2	2066.0505	Schlauchschelle 70-90mm	Hose clamp 70-90mm
9	1	2067.0401	Druckschlauch NW60 120mm lang	Steam hose NW60 120mm long
10	1	2067.0205	Dampfschlauch NW42 580 mm lang	Steam hose 580mm long
11	2	2066.0504	Schlauchschelle 40-60mm	Hose clamp 40-60mm
12	1	3002.0402	Füllstandselektrode 90mm Typ 101/201/20	Filling level electrode 90 mm type 101/201/20
13	1	5012.0537	Dichtung für Füllstandselektrode	Gasket for filling-level elektrode
14	1	2067.0128	Druckschlauch NW10 420 mm lang	Pressure hose 420 mm long
15	1	2066.0205	Schlauchschelle 12-18 mm	Hose clamp 12-18 mm
16	5	1106.0801	Sechskant-Combi-Mutter M6	Hex combination nut M6
17	1	3014.0300	Trockengehschutz 125°C	Dry up protector 125°C
18	2	2544.101230	Klemmblech Dampfgenerator	Clamping plate thermostat steam generator
19	1	2520.311089	Halterung für Trockengehschutz	Holder for dry up protector
20	1	3014.0314	Thermostat Dampfgenerator, 60°-180° C	Thermostat preheating steam generator
21	1	3004.4155	Tauchheizkörper 2x3kW 230V mit Fühlerrohr	Heating element 2x3kW 230V with sensor pipe
22	6	3004.4305	Tauchheizkörper 2x3kW 230V	Heating element 2x3KW 230V
23	1	3004.4306	Tauchheizkörper 2x1,5kW 230V	Heating element 2x1,5kW 230V
24	1	3014.0165	Thermoelement Dampfgenerator	Thermo element steam generator